



## SF-F044 Series

ASME B18.2.2

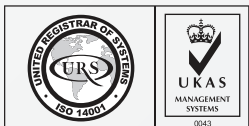
CARBON STEEL GRADE 8

ZINC YELLOW

Other Finish Options:  
ZINC FLAKES\*

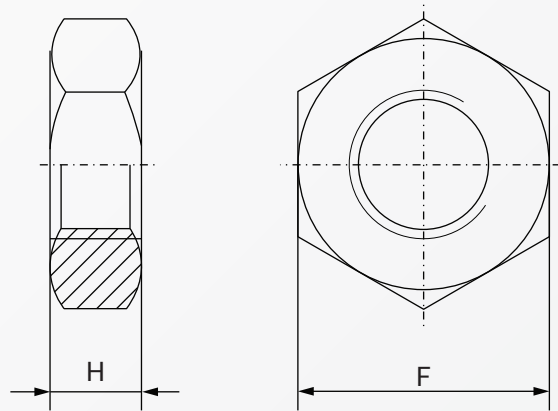


RoHS Directive Compliance



# HEXAGON THIN NUT INCH (UNC THREAD) CARBON STEEL GRADE 8

ZINC YELLOW | ZINC FLAKES\*



Dimension	Width (F)	Height (H)
1/4"-20	7/16"	5/32"
5/16"-18	1/2"	3/16"
3/8"-16	9/16"	7/32"
7/16"-14	11/16"	1/4"
1/2"-13	3/4"	5/16"
9/16"-12	7/8"	5/16"
5/8"-11	15/16"	3/8"
3/4"-10	1 1/8"	27/64"
7/8"-9	1 5/16"	31/64"
1"-8	1 1/2"	35/64"
1 1/8"-7	1 11/16"	39/64"
1 1/4"-7	1 7/8"	23/32"
1 1/2"-6	2 1/4"	27/32"
2"-4 1/2	3"	1 3/32"

Above datas are for reference only

Note:

F044 denotes unc hex thin nuts in steel zinc yellow grade 8 rated

Zinc flakes plating also known as zinc aluminium, are more corrosion resistance in wet environment

\*For optional finish, add "-ZFL" for zinc flakes on part number

Part number built example:

e.g. (1) Diameter 1/2-13 in steel gr8 zinc yellow

» SF-F044 1/2

e.g. (2) Diameter 1/2-13 in steel gr8 zinc flakes

» SF-F044 1/2-ZFL



sales@synergixfast.com



www.synergixfast.com



Phone: +65 6 316 2630 | Fax: +65 6 316 2730