



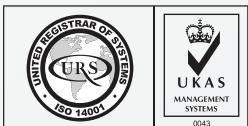
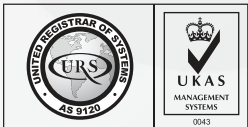
SF-F090 Series

CARBON STEEL GRADE 5

ZINC PLATE

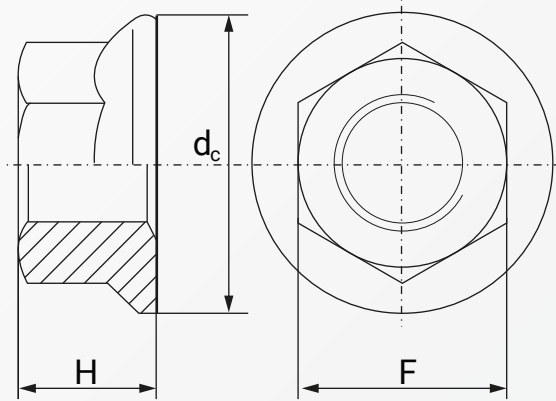


RoHS Directive Compliance



HEXAGON FLANGE NUT INCH (UNC THREAD) CARBON STEEL GRADE 5

ZINC PLATE



Dimension	Width (F)	Height (H)	Flange Dia. (d_c)	Flange Thk.
1/4"-20	7/16"	15/64"	19/32"	0.04"
5/16"-18	1/2"	9/32"	11/16"	0.04"
3/8"-16	9/16"	11/32"	3/4"	0.04"
1/2"-13	3/4"	29/64"	1 1/32"	0.05"
5/8"-11	15/16"	9/16"	1 9/32"	0.05"

Above datas are for reference only

Note:

F090 denotes unc hex flange nuts in steel zinc plate grade 5 rated

Part number built example:

e.g. (1) Diameter 3/8-16 in steel gr5 zinc plate

» SF-F090 3/8

e.g. (2) Diameter 5/18-11 in steel gr5 zinc plate

» SF-F090 5/8



sales@synergixfast.com



www.synergixfast.com



Phone: +65 6 316 2630 | Fax: +65 6 316 2730