



SF-F092 Series (UNC)
SF-F093 Series (UNF)

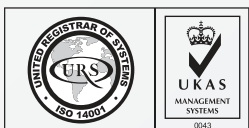
CARBON STEEL GRADE 8

ZINC PLATE

Other Finish Options:
BLACK PHOSPHATE

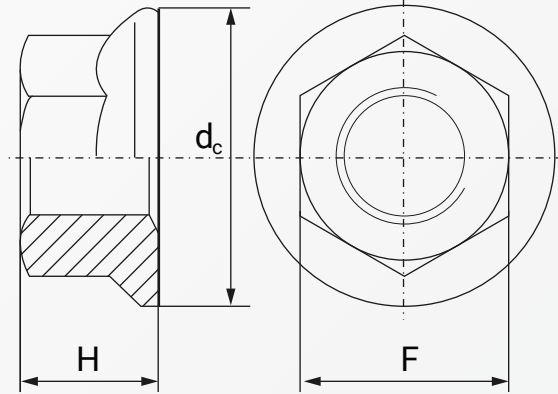


RoHS Directive Compliance



HEXAGON FLANGE NUT INCH (UNC & UNF THREAD) CARBON STEEL GRADE 8

ZINC PLATE | BLACK PHOSPHATE*



Dimension	Width (F)	Height (H)	Flange Dia. (d _c)	Flange Thk.
Zinc-Plated Steel—Grade 8				
1/4"-20	7/16"	15/64"	19/32"	0.04"
5/16"-18	1/2"	9/32"	11/16"	0.04"
3/8"-16	9/16"	11/32"	3/4"	0.04"
1/2"-13	3/4"	29/64"	1 1/32"	0.05"
5/8"-11	15/16"	9/16"	1 9/32"	0.05"
3/4"-10	1 1/8"	21/32"	1 1/2"	0.06"
Black-Phosphate Steel—Grade 8				
1/4"-20	7/16"	15/64"	19/32"	0.04"
5/16"-18	1/2"	9/32"	11/16"	0.04"
3/8"-16	9/16"	11/32"	3/4"	0.04"
1/2"-13	3/4"	29/64"	1 1/32"	0.05"
1/2"-20	3/4"	29/64"	1 1/32"	0.05"
5/8"-11	15/16"	9/16"	1 9/32"	0.05"
5/8"-18	15/16"	9/16"	1 9/32"	0.05"
3/4"-10	1 1/8"	21/32"	1 1/2"	0.06"
3/4"-16	1 1/8"	21/32"	1 1/2"	0.06"

Above datas are for reference only

Note:

F092 denotes unc hex flange nuts in steel zinc plate grade 8 rated

F093 denotes unf hex flange nuts in steel zinc plate grade 8 rated

*For optional finish, add "-PHO" for black phosphate on part number

Part number built example:

e.g. (1) Diameter 1/4-20 in steel gr8 zinc plate

» SF-F092 1/4

e.g. (2) Diameter 3/4-16 in steel gr8 zinc plate

» SF-F093 3/4

e.g. (3) Diameter 1/2-13 in steel gr8 black phosphate

» SF-F092 1/3-PHO



sales@synergixfast.com



www.synergixfast.com



Phone: +65 6 316 2630 | Fax: +65 6 316 2730