



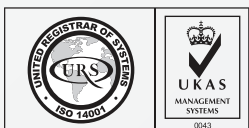
SF-F094 Series

CARBON STEEL GRADE 5

ZINC PLATE

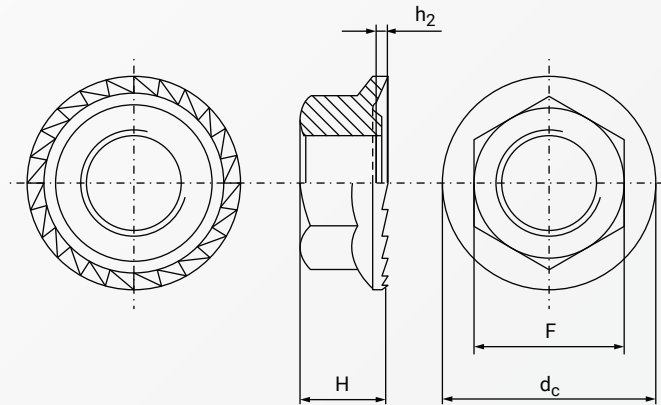


RoHS Directive Compliance



HEXAGON FLANGE NUT SERRATED INCH (UNC THREAD) CARBON STEEL GRADE 5

ZINC PLATE



Dimension	Width (F)	Height (H)	Flange Dia. (d_c)	Flange Thk. (h_2)
1/4"-20	7/16"	15/64"	19/32"	0.04"
5/16"-18	1/2"	9/32"	11/16"	0.04"
3/8"-16	9/16"	11/32"	3/4"	0.04"
1/2"-13	3/4"	29/64"	1 1/32"	0.05"

Above datas are for reference only

Note:

F094 denotes unc hex flange nuts serrated in steel zinc plate grade 5 rated

Part number built example:

e.g. (1) Diameter 1/4-20 in steel gr5 zinc plate

» SF-F094 1/4

e.g. (2) Diameter 1/2-13 in steel gr5 zinc plate

» SF-F094 1/2



sales@synergixfast.com



www.synergixfast.com



Phone: +65 6 316 2630 | Fax: +65 6 316 2730