



SF-F095 Series

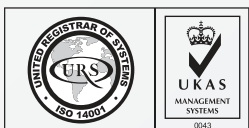
CARBON STEEL GRADE 8

ZINC PLATE

Other Finish Options:
ZINC YELLOW
BLACK OXIDE
BLACK PHOSPHATE

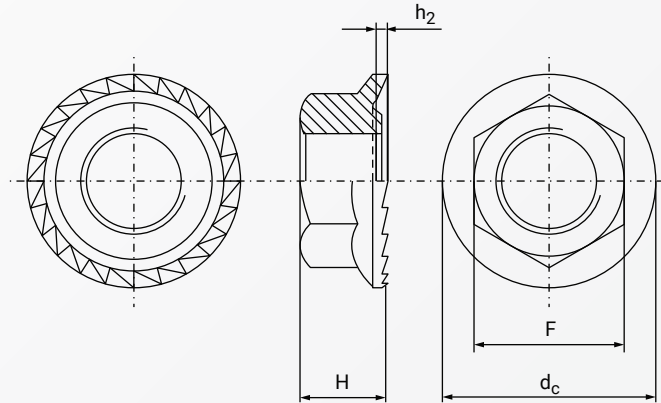


RoHS Directive Compliance



HEXAGON FLANGE NUT SERRATED INCH (UNC THREAD) CARBON STEEL GRADE 8

ZINC PLATE | ZINC YELLOW* | BLACK OXIDE* | BLACK PHOSPHATE*



Dimension	Width (F)	Height (H)	Flange Dia. (d _c)	Flange Thk.
Zinc-Plated Steel—Grade 8				
1/4"-20	7/16"	15/64"	19/32"	0.04"
5/16"-18	1/2"	9/32"	11/16"	0.04"
3/8"-16	9/16"	11/32"	3/4"	0.04"
1/2"-13	3/4"	29/64"	1 1/32"	0.05"
5/8"-11	15/16"	9/16"	1 9/32"	0.05"
3/4"-10	1 1/8"	21/32"	1 1/2"	0.06"
Zinc Yellow-Chromate Plated Steel—Grade 8				
9/16"-12	7/8"	1/2"	1 3/16"	0.05"
Black-Oxide Steel—Grade 8				
1/2"-13	3/4"	29/64"	1 1/32"	0.05"
5/8"-11	15/16"	9/16"	1 9/32"	0.05"
3/4"-10	1 1/8"	43/64"	1 1/2"	0.06"
Black-Phosphate Steel—Grade 8				
1/4"-20	7/16"	15/64"	19/32"	0.04"
5/16"-18	1/2"	9/32"	11/16"	0.04"
3/8"-16	9/16"	11/32"	3/4"	0.04"

Above datas are for reference only

Note:

F095 denotes unc hex flange nuts serrated in steel zinc plate grade 8 rated

*For optional finish, add;

"-BO" for black oxide | "-ZY" for zinc yellow | "-PHO" for black phosphate on part number

Part number built example:

e.g. (1) Diameter 1/4-20 in steel gr8 zinc plate

» SF-F095 1/4

e.g. (2) Diameter 9/16-12 in steel gr8 zinc yellow

» SF-F095 9/16-ZY

e.g. (3) Diameter 1/2-13 in steel gr8 black oxide

» SF-F095 1/2-BO

e.g. (4) Diameter 3/8-16 in steel gr8 black phosphate

» SF-F095 3/8-PHO



sales@synergixfast.com



www.synergixfast.com



Phone: +65 6 316 2630 | Fax: +65 6 316 2730