



SF-F102 Series
SF-F107 Series

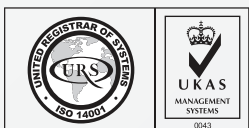
ASTM F594

STAINLESS STEEL
18-8 | 316

PLAIN

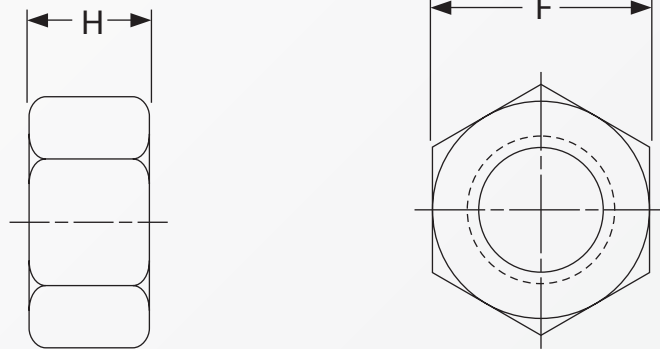


RoHS Directive Compliance



HEXAGON NUT INCH (UNC THREAD) ASTM F594 STAINLESS STEEL 18-8 | 316

PLAIN



Dimension	Width (F)	Height (H)
1/4"-20	7/16"	7/32"
5/16"-18	1/2"	17/64"
3/8"-16	9/16"	21/64"
7/16"-14	11/16"	3/8"
1/2"-13	3/4"	7/16"
9/16"-12	7/8"	31/64"
5/8"-11	15/16"	35/64"
3/4"-10	1 1/8"	41/64"
7/8"-9	1 5/16"	3/4"
1"-8	1 1/2"	55/64"
1 1/8"-7	1 11/16"	31/32"
1 1/4"-7	1 7/8"	1 1/16"
1 1/2"-6	2 1/4"	1 9/32"

Above datas are for reference only

Note:

F102 denotes unc hex nuts in stainless steel 18-8

F107 denotes unc hex nuts in stainless steel 316

Both series are ASTM F594 rated

Part number built example:

e.g. (1) Diameter 9/16-12 in stainless steel 18-8 (ASTM F594) >> SF-F102 9/16

e.g. (2) Diameter 9/16-12 in stainless steel 316 (ASTM F594) >> SF-F107 9/16



sales@synergixfast.com



www.synergixfast.com



Phone: +65 6 316 2630 | Fax: +65 6 316 2730