



SF-F112 Series
SF-F117 Series

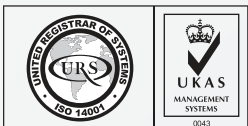
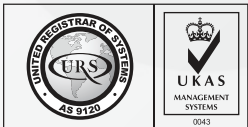
ASTM F594

STAINLESS STEEL
18-8 | 316

PLAIN

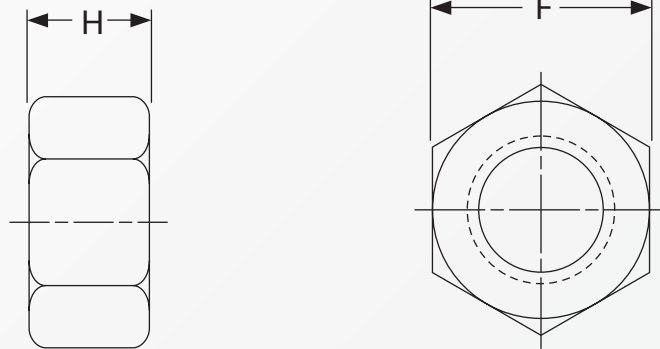


RoHS Directive Compliance



HEXAGON NUT INCH (UNF THREAD) ASTM F594 STAINLESS STEEL 18-8 | 316

PLAIN



Dimension	Width (F)	Height (H)
1/4"-28	7/16"	7/32"
5/16"-24	1/2"	17/64"
3/8"-24	9/16"	21/64"
7/16"-20	11/16"	3/8"
1/2"-20	3/4"	7/16"
5/8"-18	15/16"	35/64"
3/4"-16	1 1/8"	41/64"
7/8"-14	1 5/16"	3/4"
1"-12	1 1/2"	55/64"

Above datas are for reference only

Note:

F112 denotes unf hex nuts in stainless steel 18-8

F117 denotes unf hex nuts in stainless steel 316

Both series are ASTM F594 rated

Part number built example:

e.g. (1) Diameter 1/2-20 in stainless steel 18-8 (ASTM F594)

» SF-F112 1/2

e.g. (2) Diameter 1/2-20 in stainless steel 316 (ASTM F594)

» SF-F117 1/2



sales@synergixfast.com



www.synergixfast.com



Phone: +65 6 316 2630 | Fax: +65 6 316 2730