



SF-F120 Series

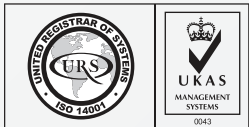
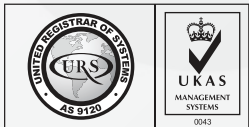
STAINLESS STEEL 18-8

PLAIN

Other Finish Options:  
BLACK OXIDE

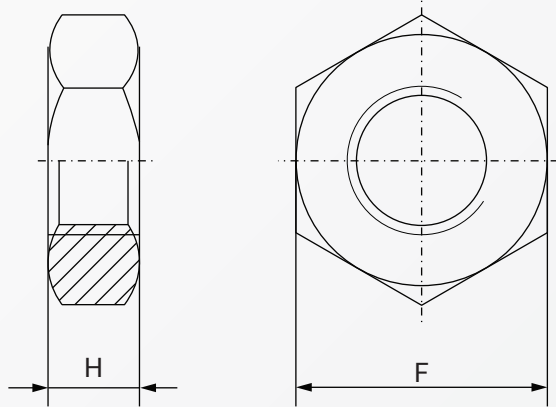


RoHS Directive Compliance



## HEXAGON THIN NUT INCH (UNC THREAD) STAINLESS STEEL 18-8

PLAIN | BLACK OXIDE\*



Dimension	Width (F)	Height (H)
1/4"-20	7/16"	5/32"
5/16"-18	1/2"	3/16"
3/8"-16	9/16"	7/32"
7/16"-14	11/16"	1/4"
1/2"-13	3/4"	5/16"
9/16"-12	7/8"	5/16"
5/8"-11	15/16"	3/8"
3/4"-10	1 1/8"	27/64"
7/8"-9	1 5/16"	31/64"
1"-8	1 1/2"	35/64"
1 1/8"-7	1 11/16"	39/64"
1 1/4"-7	1 7/8"	23/32"
1 1/2"-6	2 1/4"	27/32"
1 3/4"-5	2 5/8"	31/32"
2"-4 1/2	3"	1 3/32"

Above datas are for reference only

Note:

F120 denotes unc hex thin nuts in stainless steel 18-8

\*For optional finish, add "-BO" for black oxide on part number

Part number built example:

e.g. (1) Diameter 1/2-13 in stainless steel 18-8

>> SF-F120 1/2

e.g. (2) Diameter 1/2-13 in stainless steel 18-8 black oxide

>> SF-F120 1/2-BO



sales@synergixfast.com



www.synergixfast.com



Phone: +65 6 316 2630 | Fax: +65 6 316 2730