



SF-F130 Series

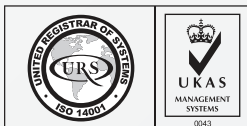
STAINLESS STEEL 18-8

PLAIN

Other Finish Options:
BLACK OXIDE

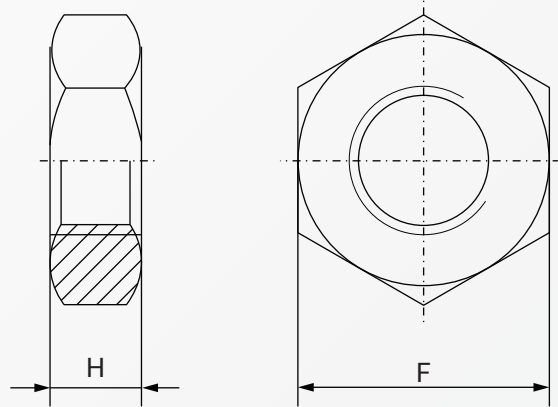


RoHS Directive Compliance



HEXAGON THIN NUT INCH (UNF THREAD) STAINLESS STEEL 18-8

PLAIN | BLACK OXIDE*



Dimension	Width (F)	Height (H)
1/4"-28	7/16"	5/32"
5/16"-24	1/2"	3/16"
3/8"-24	9/16"	7/32"
7/16"-20	11/16"	1/4"
1/2"-20	3/4"	5/16"
9/16"-18	7/8"	5/16"
5/8"-18	15/16"	3/8"
3/4"-16	1 1/8"	27/64"
7/8"-14	1 5/16"	31/64"
1"-12	1 1/2"	35/64"
1 1/8"-12	1 11/16"	39/64"
1 1/4"-12	1 7/8"	23/32"
1 1/2"-12	2 1/4"	27/32"

Above datas are for reference only

Note:

F130 denotes unf hex thin nuts in stainless steel 18-8

*For optional finish, add "-BO" for black oxide on part number

Part number built example:

e.g. (1) Diameter 1/4-28 in stainless steel 18-8

>> SF-F130 1/4

e.g. (2) Diameter 1/4-28 in stainless steel 18-8 black oxide

>> SF-F130 1/4-BO



sales@synergixfast.com



www.synergixfast.com



Phone: +65 6 316 2630 | Fax: +65 6 316 2730