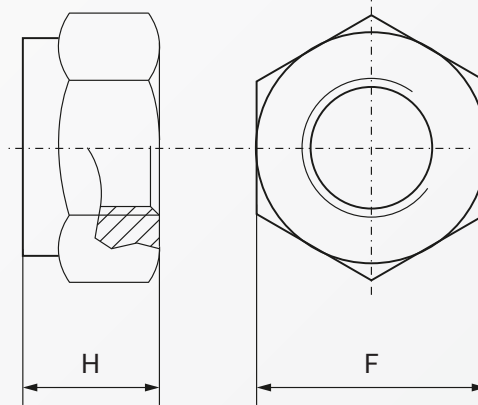




HEXAGON LOCK NUT WITH NYLON INSERT INCH (UNC & UNF THREAD) THIN TYPE

STAINLESS STEEL 18-8 PLAIN



SF-F160 Series (UNC)
SF-F162 Series (UNF)

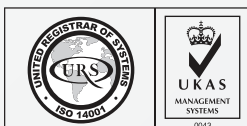
STAINLESS STEEL 18-8

PLAIN

Dimension	Width (F)	Height (H)	Dimension	Width (F)	Height (H)
#4-40	1/4"	7/64"	1/2"-20	3/4"	5/16"
#6-32	5/16"	1/8"	9/16"-18	7/8"	23/64"
#8-32	11/32"	11/64"	5/8"-11	15/16"	25/64"
#10-24	3/8"	11/64"	5/8"-18	15/16"	25/64"
#10-32	3/8"	11/64"	3/4"-10	1 1/16"	13/32"
1/4"-20	7/16"	13/64"	3/4"-16	1 1/16"	13/32"
1/4"-28	7/16"	13/64"	7/8"-9	1 1/4"	15/32"
5/16"-18	1/2"	1/4"	7/8"-14	1 1/4"	15/32"
5/16"-24	1/2"	1/4"	1"-8	1 7/16"	35/64"
3/8"-16	9/16"	17/64"	1"-14	1 7/16"	35/64"
3/8"-24	9/16"	17/64"	1 1/8"-7	1 5/8"	41/64"
7/16"-14	5/8"	5/16"	1 1/4"-7	1 13/16"	3/4"
7/16"-20	5/8"	5/16"	1 1/4"-12	1 13/16"	3/4"
1/2"-13	3/4"	5/16"	1 1/2"-6	2 3/16"	51/64"



RoHS Directive Compliance



Above datas are for reference only

Note:

F160 denotes unc hex lock nuts thin height in stainless steel 18-8

F162 denotes unf hex lock nuts thin height in stainless steel 18-8

For use at temperature max. 100 degree (220 Fahrenheit)

Part number built example:

e.g. (1) Diameter 1/4-20 in stainless steel 18-8

>> SF-F160 1/4

e.g. (2) Diameter 1/4-28 in stainless steel 18-8

>> SF-F162 1/4



sales@synergixfast.com



www.synergixfast.com



Phone: +65 6 316 2630 | Fax: +65 6 316 2730