



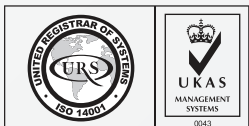
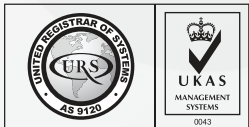
SF-F165 Series (UNC)  
SF-F167 Series (UNF)

STAINLESS STEEL 316

PLAIN

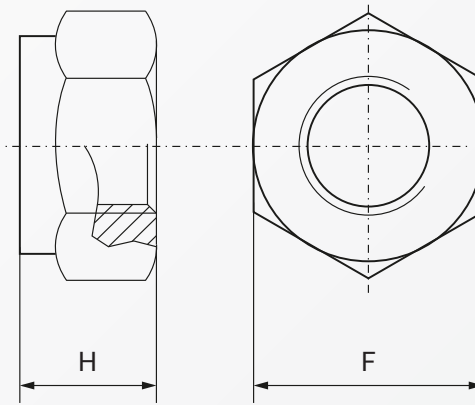


RoHS Directive Compliance



## HEXAGON LOCK NUT WITH NYLON INSERT INCH (UNC & UNF THREAD) THIN TYPE

STAINLESS STEEL 316 PLAIN



Dimension	Width (F)	Height (H)
#10-24	3/8"	11/64"
#10-32	3/8"	11/64"
1/4"-20	7/16"	13/64"
1/4"-28	7/16"	13/64"
5/16"-18	1/2"	1/4"
5/16"-24	1/2"	1/4"
3/8"-16	9/16"	17/64"
3/8"-24	9/16"	17/64"
7/16"-14	5/8"	5/16"
7/16"-20	5/8"	5/16"
1/2"-13	3/4"	5/16"
1/2"-20	3/4"	5/16"

Above datas are for reference only

Note:

F165 denotes unc hex lock nuts thin height in stainless steel 316

F167 denotes unf hex lock nuts thin height in stainless steel 316

For use at temperature max. 100 degree (220 Fahrenheit)

Part number built example:

e.g. (1) Diameter #10-32 in stainless steel 316

>> SF-F165 #10

e.g. (2) Diameter #10-32 in stainless steel 316

>> SF-F167 #10



sales@synergixfast.com



www.synergixfast.com



Phone: +65 6 316 2630 | Fax: +65 6 316 2730