



SF-F170 Series (UNC)
SF-F171 Series (UNF)

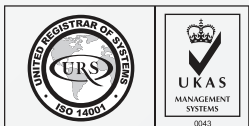
STAINLESS STEEL 18-8

PLAIN

Other Finish Options:
BLACK OXIDE

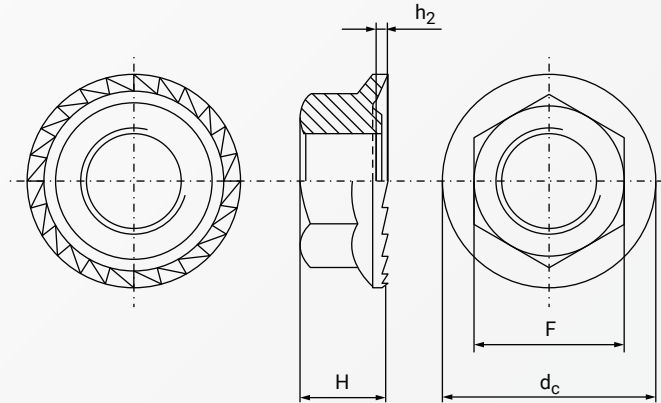


RoHS Directive Compliance



HEXAGON FLANGE NUT SERRATED INCH (UNC & UNF THREAD) STAINLESS STEEL 18-8

PLAIN | BLACK OXIDE*



Dimension	Width (F)	Height (H)	Flange Dia. (d_c)	Flange Thk. (h_2)
#6-32	5/16"	11/64"	27/64"	0.07"
#8-32	11/32"	13/64"	15/32"	0.07"
#10-24	3/8"	7/32"	1/2"	0.09"
#10-32	3/8"	7/32"	1/2"	0.09"
#12-24	7/16"	15/64"	19/32"	0.04"
1/4"-20	7/16"	15/64"	19/32"	0.1"
1/4"-28	7/16"	15/64"	19/32"	0.1"
5/16"-18	1/2"	9/32"	43/64"	0.11"
5/16"-24	1/2"	9/32"	43/64"	0.11"
3/8"-16	9/16"	11/32"	3/4"	0.12"
3/8"-24	9/16"	11/32"	3/4"	0.12"
1/2"-13	3/4"	29/64"	1 1/32"	0.15"
1/2"-20	3/4"	29/64"	1 1/32"	0.05"

Above datas are for reference only

Note:

F170 denotes unc hex flange nuts serrated in stainless steel 18-8

F171 denotes unf hex flange nuts serrated in stainless steel 18-8

Black oxide finish, have a dark surface color

*For optional finish, add "-BO" for black oxide on part number

Part number built example:

e.g. (1) Diameter 5/16-18 in stainless steel 18-8

» SF-F170 5/16

e.g. (2) Diameter 5/16-24 in stainless steel 18-8

» SF-F171 5/16

e.g. (3) Diameter 5/16-18 in stainless steel 18-8 black oxide » SF-F170 5/16-BO



sales@synergixfast.com



www.synergixfast.com



Phone: +65 6 316 2630 | Fax: +65 6 316 2730