



SF-F172 Series (UNC)
SF-F173 Series (UNF)

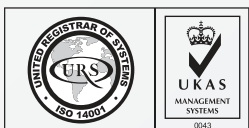
STAINLESS STEEL 316

PLAIN

Other Finish Options:
BLACK OXIDE

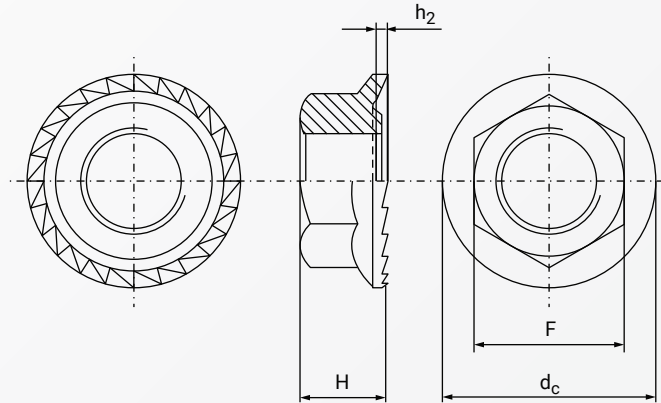


RoHS Directive Compliance



HEXAGON FLANGE NUT SERRATED INCH (UNC & UNF THREAD) STAINLESS STEEL 316

PLAIN | BLACK OXIDE*



Dimension	Width (F)	Height (H)	Flange Dia. (d_c)	Flange Thk. (h_2)
#6-32	5/16"	5/32"	27/64"	0.02"
#8-32	11/32"	3/16"	15/32"	0.02"
#10-24	3/8"	7/32"	1/2"	0.03"
#10-32	3/8"	7/32"	1/2"	0.03"
1/4"-20	7/16"	15/64"	19/32"	0.04"
5/16"-18	1/2"	9/32"	11/16"	0.04"
3/8"-16	9/16"	11/32"	3/4"	0.04"
1/2"-13	3/4"	29/64"	1"	0.05"

Above datas are for reference only

Note:

F172 denotes unc hex flange nuts serrated in stainless steel 316

F173 denotes unf hex flange nuts serrated in stainless steel 316

Black oxide finish, have a dark surface color

*For optional finish, add "-BO" for black oxide on part number

Part number built example:

e.g. (1) Diameter 3/8-16 in stainless steel 316

» SF-F172 3/8

e.g. (2) Diameter #10-32 in stainless steel 316

» SF-F173 #10

e.g. (3) Diameter 3/8-16 in stainless steel 316 black oxide

» SF-F172 3/8-BO



sales@synergixfast.com



www.synergixfast.com



Phone: +65 6 316 2630 | Fax: +65 6 316 2730