



**SF-C099 SERIES
SF-C099 XXX-
HDG SERIES**

EN 14399-4
DIN 6914~

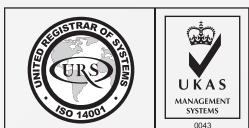
STEEL GRADE 10.9

BLACK

HOT DIP GALVANIZED

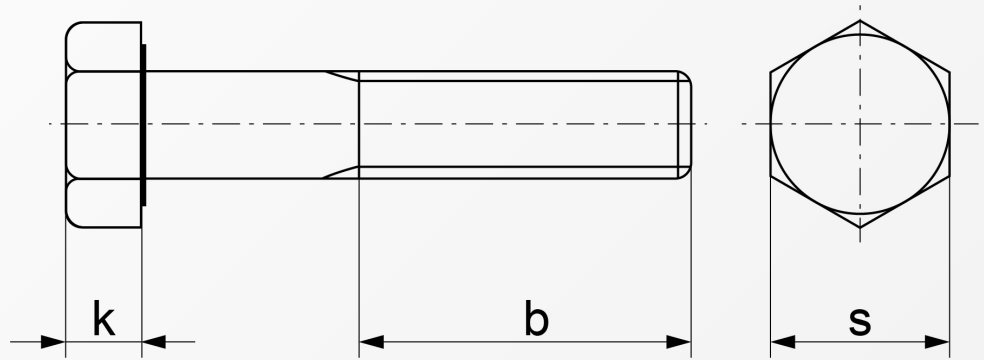


RoHS Directive Compliance



HEXAGON BOLTS WITH LARGE HEAD (HIGH STRENGTH STRUCTURAL BOLTING)

STEEL GRADE 10.9 | BLACK | HOT DIP GALVANIZED



Dimensions	k	s	b	Length
M 12	8	22	23	from 30mm
M 16	10	27	28	from 40mm
M 20	13	32	33	from 40mm
M 22	14	36	34	from 50mm
M 24	15	41	39	from 50mm
M 27	17	46	41	from 65mm
M 30	19	50	44	from 80mm
M 36	23	60	52	special request

Above datas are for reference only

Note:

C099 denotes steel 10.9 black & C099 XXX-HDG denotes steel 10.9 with hot dip galvanized

Part number built example:

e.g. (1) Diameter M8 X 50 in steel 10.9 material in black

» SF-C099 8X50

e.g. (2) Diameter M14 X 80 in steel 10.9 material with hot dip galvanised

» SF-C099 14X80-HDG



sales@synergixfast.com



www.synergixfast.com



Phone: +65 6 316 2630 | Fax: +65 6 316 2730