



SF-C138 SERIES

ISO 4014
DIN 931~

STAINLESS
STEEL

A4-80

PASSIVATED

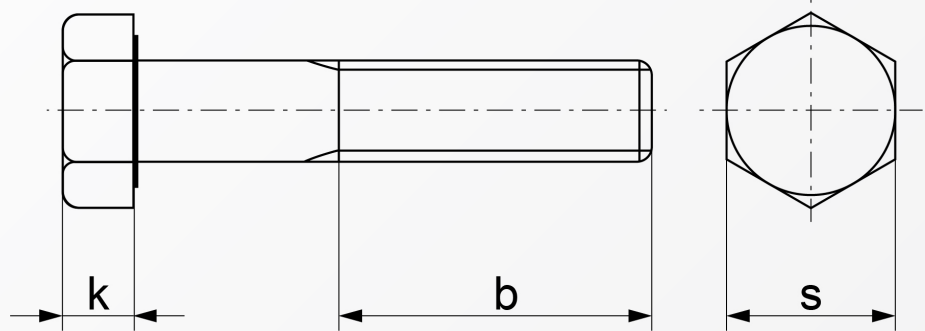


RoHS Directive Compliance



HEXAGON HEAD BOLTS (PARTIAL THREAD)

STAINLESS STEEL A4-80



Dimensions	S _{ISO/DIN}	k	b ¹	b ²	b ³	Length
M2	4	1.4	10	-	-	special request
M3	5.5	2	12	-	-	special request
M4	7	2.8	14	-	-	special request
M5	8	3.5	16	22	-	from 30mm
M6	10	4	18	24	-	from 30mm
M7	11	4.8	20	26	-	special request
M8	13	5.3	22	28	-	from 35mm
M10	16/17	6.4	26	32	45	from 40mm
M12	18/19	7.5	30	36	49	from 40mm
M14	21/22	8.8	34	40	53	from 50mm
M16	24	10	38	44	57	from 55mm
M18	27	11.5	42	48	61	from 65mm
M20	30	12.5	46	52	65	from 65mm
M22	34/32	14	50	56	69	from 80mm
M24	36	15	54	60	73	from 75mm
M27	41	17	60	66	79	from 90mm
M30	46	18.7	66	72	85	from 90mm
M33	50	21	72	78	91	from 100mm
M36	55	22.5	78	84	97	from 100mm
M39	60	25	84	90	103	special request
M42	65	26	90	96	109	special request
M45	70	28	96	102	115	special request
M48	75	30	102	108	121	special request
M52	80	33	-	116	129	special request
M56	85	35	-	124	137	special request
M64	95	40	-	140	153	special request

Above datas are for reference only

Thread length b*:
b1 for l < 125mm
b2 for l < 200mm
b3 for l > 200mm

Note:
C138 denotes stainless steel A4-80 grade

Part number built example:

e.g. (1) Diameter 10X80 partial thread in A4-80 grade >>SF-C138 10X80



sales@synergixfast.com



www.synergixfast.com



Phone: +65 6 316 2630 | Fax: +65 6 316 2730