



SF-E030 SERIES  
SF-E031 SERIES

ISO 4032  
DIN 934

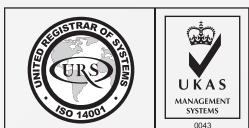
STEEL

CLASS 10

BLACK | ZINC PLATE

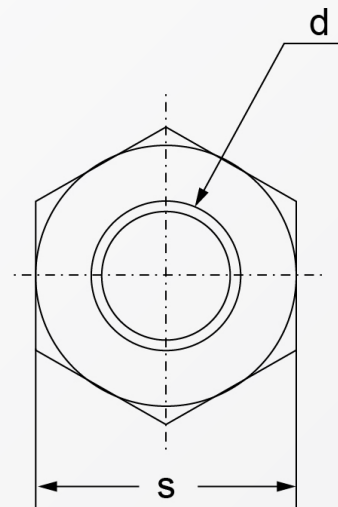
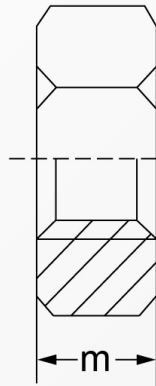


RoHS Directive Compliance



## HEXAGON NUT

STEEL CLASS 10



Dimension	m <sub>ISO/DIN</sub>	s <sub>ISO/DIN</sub>
M 1	0.8	2.5
M 1.2	1	3
M 1.4	1.2	3
M 1.6	1.3	3.2
M 1.7*	1.4	3.5
M 2	1.6	4
M 2.3*	1.8	4.5
M 2.5	2	5
M 2.6*	2	5
M 3	2.4	5.5
M 3.5	2.8	6
M 4	3.2	7
M 5	4.7/4	8
M 6	5.2/5	10
M 7	5.5	11
M 8	6.8/6.5	13
M 10	8.4/8	16/17
M 12	10.8/10	18/19
M 14	12.8/11	21/22
M 16	14.8/13	24

Dimension	m <sub>ISO/DIN</sub>	s <sub>ISO/DIN</sub>
M 18	15.8/15	27
M 20	18/16	30
M 22	19.4/18	34/32
M 24	21.5/19	36
M 26*	22	41
M 27	23.8/22	41
M 28 **	22	41
M 30	25.6/24	46
M 32**	26	50
M 33	28.7/26	50
M 35**	29	55
M 36	31/29	55
M 38**	31	60
M 39	33.4/31	60
M 40**	31	60
M 42	34	65
M 45	36	70
M 48	38	75
M 50	38	75
M 52	42	80

Above datas are for reference only

\* denotes acc. to DIN 934

\*\* denotes not standardized, reference values

Class 10 material, starts from M4 diameter

Note:

E030 denotes steel class 10 black

E031 denotes steel class 10 zinc plate

Part number built example:

e.g. (1) Diameter M8 in steel class 10 black

» SF-E030 M8

e.g. (2) Diameter M12 in steel class 10 zinc

» SF-E031 M12



sales@synergixfast.com



www.synergixfast.com



Phone: +65 6 316 2630 | Fax: +65 6 316 2730