



SF-E032 SERIES
SF-E033 SERIES

EN 14399-4
DIN 6915~

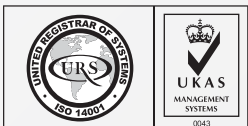
STEEL CLASS 10

PLAIN

HOT DIP GALVANISED

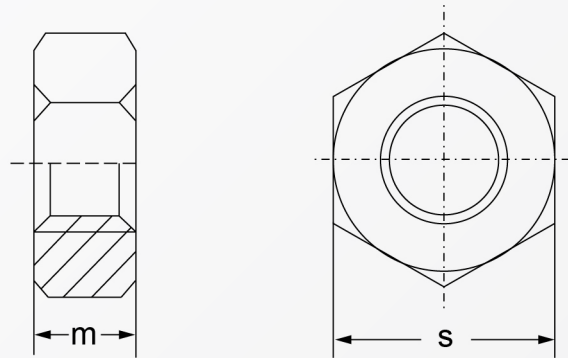


RoHS Directive Compliance



HEXAGON NUT (HIGH STRENGTH STRUCTURAL BOLTING)

STEEL CLASS 10 | PLAIN | HOT DIP GALVANISED



Dimensions	M12	M16	M20	M22
m	10	13	16	18
s	22	27	32	36

Dimensions	M24	M27	M30	M36
m	20	22	24	29
s	41	46	50	60

Above datas are for reference only

Part number built example:

e.g. (1) Select Diameter M12 in steel material

»SF-E032 M12

e.g. (2) Select Diameter M20 in steel material with hot dip galvanised

»SF-E033 M20



sales@synergixfast.com



www.synergixfast.com



Phone: +65 6 316 2630 | Fax: +65 6 316 2730