

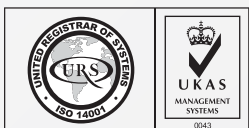


## SF-E045 SERIES

DIN 557

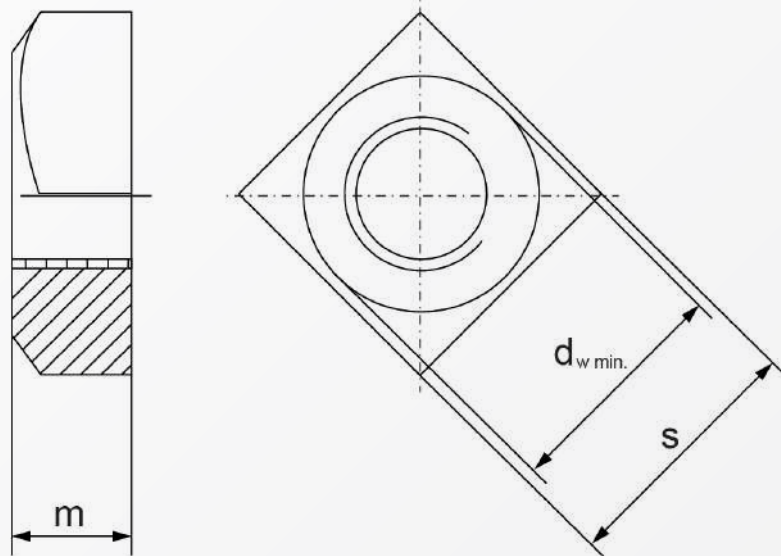
STEEL CLASS 4

ZINC PLATED  
ROHS



## SQUARE NUT

### STEEL ZINC ROHS



Dimensions	$d_{w \text{ min.}}$	m	s
M 5	6.7	4	8
M 6	8.7	5	10
M 8	11.5	6.5	13
M 10	14.5/15.5	8	16/17
M 12	16.5/17.2	10	18/19
M 16	22	13	24

Above datas are for reference only

Part number built example:

Part number built example:

e.g. (1) Diameter M5 »SF-E045 M5

e.g. (2) Diameter M6 »SF-E045 M6



sales@synergixfast.com



www.synergixfast.com



Phone: +65 6 316 2630 | Fax: +65 6 316 2730