



SF-E050 SERIES

ISO 4035
DIN 439B~

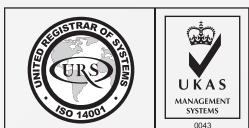
STEEL

CLASS 4

ZINC PLATE

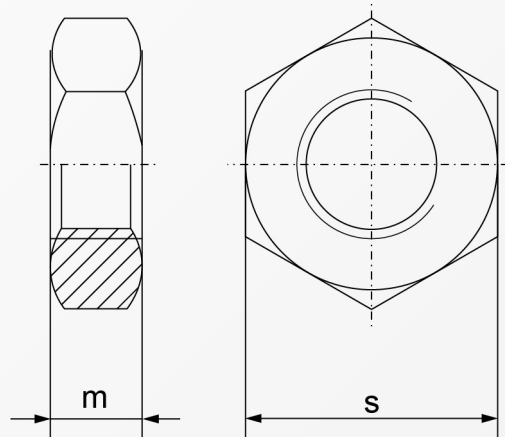


RoHS Directive Compliance



HEXAGON THIN NUT (JAM)

STEEL CLASS 4 | ZINC



Dimensions	m _{max.}	s _{ISO/DIN}
M 2	1.2	4
M 2.5	1.6	5
M 3	1.8	5.5
M 3.5	2	6
M 4	2.2	7
M 5	2.7	8
M 6	3.2	10
M 8	4	13
M 10	5	16/17
M 12	6	18/19
M 14	7	21/22
M 16	8	24
M 18	9	27
M 20	10	30
M 22	11	34/32
M 24	12	36
M 27	13.5	41
M 30	15	46
M 33	16.5	50
M 35	17.5	55
M 36	18	55
M 39	19.5	60
M 42	21	65
M 48	24	75

Above datas are for reference only
type B = chamfered

Note:
E050 denotes steel class 4 zinc

Part number built example:

e.g. (1) Diameter M6 in steel class 4 material » SF-E050 M6



sales@synergixfast.com



www.synergixfast.com



Phone: +65 6 316 2630 | Fax: +65 6 316 2730