



SF-E060 SERIES
SF-E170 SERIES
SF-E172 SERIES

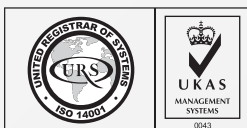
DIN 1587

STEEL CLASS 6

STAINLESS STEEL
A2 | A4

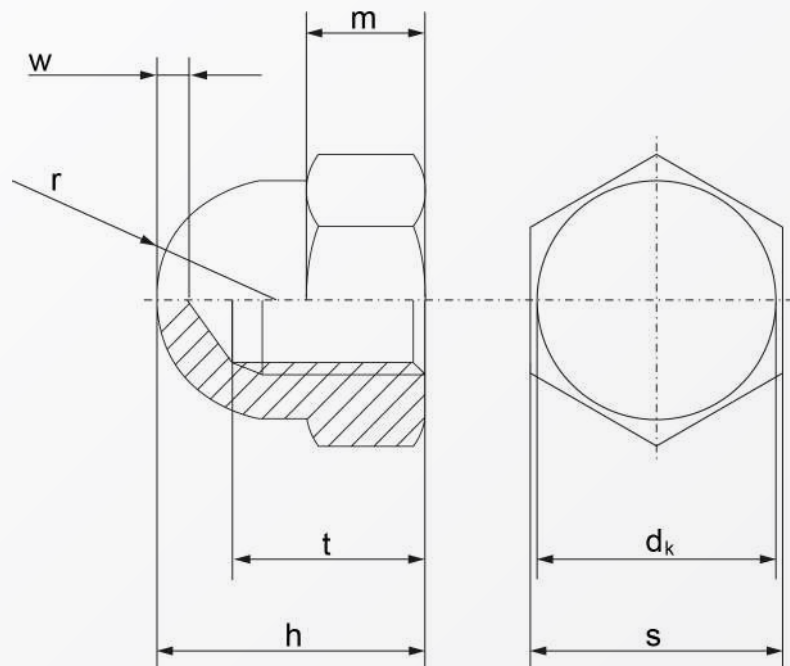


RoHS Directive Compliance



HEXAGON DOMED CAP NUT (HIGH TYPE)

STEEL CLASS 6 ZINC | STAINLESS STEEL A2 & A4



Dimensions	$d_{k \text{ max.}}$	$m_{\text{max.}}$	r	$s_{\text{ISO/DIN}}$	$t_{\text{min.}}$	$w_{\text{min.}}$	h
M 3*	5.8	2.4	2.9	5.5	4.5	2	6
M 4	6.5	3.2	3.25	7	5.26	2	8
M 5	7.5	4	3.75	8	7.21	2	10
M 6	9.5	5	4.75	10	7.71	2	12
M 8	12.5	6.5	6.25	13	10.65	2	15
M 10	15	8	7.5	16/17	12.65	2	18
M 12	17	10	8.5	18/19	15.65	3	22
M 14	20	11	10	21/22	17.65	4	25
M 16	23	13	11.5	24	20.58	4	28
M 18	26	15	13	27	24.58	5	32
M 20	28	16	14	30	25.58	5	34
M 22	33	18	16.5	34/32	28.58	5	39
M 24	34	19	17	36	30.5	6	42
M 27*	39	22	19.5	41	35	7	45
M 30*	44	24	22	46	39	7	50

Above datas are for reference only
*dimensions not listed in standard
ISO reference are not officially published yet

Part number built example:

- e.g. (1) Select Diameter M12 in steel material, zinc plated >>SF-E060 M12
- e.g. (2) Select Diameter M16 in stainless A2 material >>SF-E170 M16
- e.g. (3) Select Diameter M10 in stainless A4 material >>SF-E172 M10



sales@synergixfast.com



www.synergixfast.com



Phone: +65 6 316 2630 | Fax: +65 6 316 2730