



SF-E092 SERIES
SF-E093 SERIES

DIN 6923~ (Ref.)

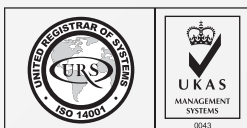
CARBON STEEL

08 | 10

ZINC PLATE

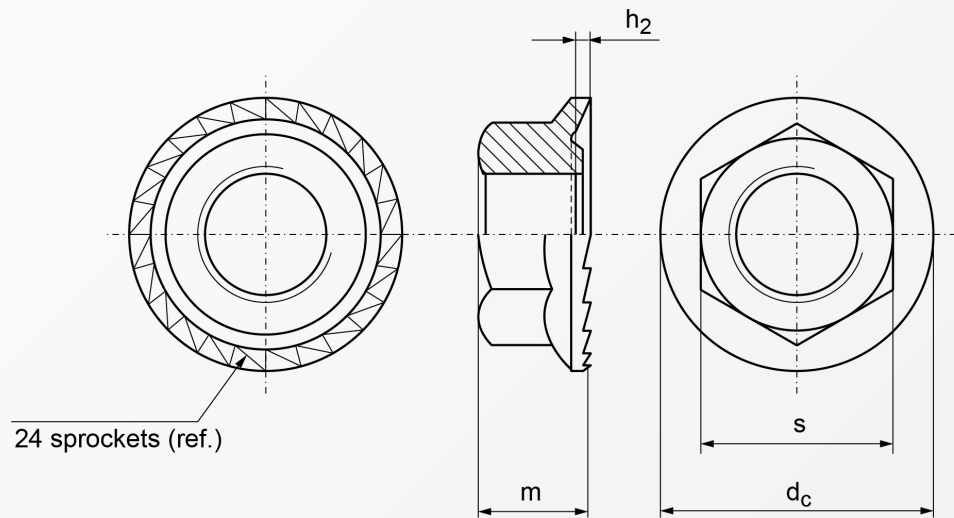


RoHS Directive Compliance



HEXAGON FLANGE NUT W/SERRATION

CARBON STEEL | 08 | 10 | ZINC PLATE



Dimensions	d_c	m	$h_{2 \text{ min.}}$	qty. serrations (Ref.)
M 5	11.2	4.3	0.15	24
M 6	14.25	5.5	0.17	24
M 8	18.25	7	0.2	24
M10	21	7.9	0.25	24
M12	24	8.7	0.25	24
M16	31	11.2	0.28	24

Above datas are for reference only

Note:

E092 denotes steel cl08 & E093 denotes steel cl10

Part number built example:

- e.g. (1) Diameter M8 in steel cl08 material »SF-E092 M8
- e.g. (2) Diameter M10 in steel cl10 material »SF-E093 M10



sales@synergixfast.com



www.synergixfast.com



Phone: +65 6 316 2630 | Fax: +65 6 316 2730