



SF-E096 SERIES

EN 1661
DIN 6923~

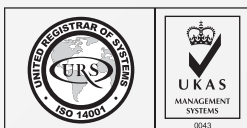
STEEL

CLASS 8

ZINC PLATE

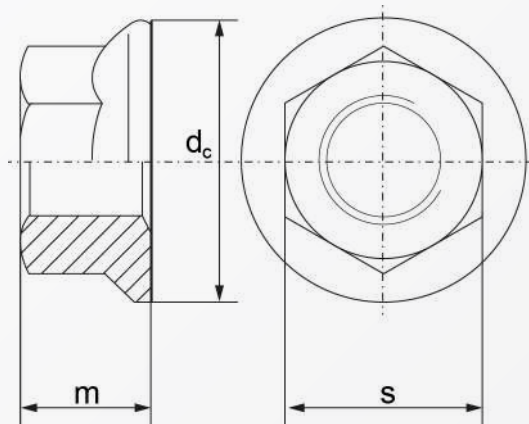


RoHS Directive Compliance



HEXAGON FLANGE NUT

STEEL CLASS 8 | ZINC



Dimensions	$d_{c \text{ max.}}$	$m_{\text{max.}}$	s
M 4	10	4.65	7
M 5	11.8	5	8
M 6	14.2	6	10
M 8	17.9	8	13
M10	21.8	10	15
M 12	26	12	18
M 16	34.5	16	24
M 20	42.8	20	30

Above datas are for reference only

Note:
E096 denotes steel class 8 zinc plate

Part number built example :

e.g. (1) Diameter M10 in steel class 8 material >>SF-E096 M10



sales@synergixfast.com



www.synergixfast.com



Phone: +65 6 316 2630 | Fax: +65 6 316 2730