



SF-E120 SERIES  
SF-E130 SERIES

ISO 4035  
DIN 439B~

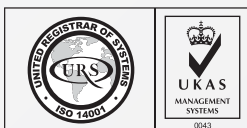
STAINLESS  
STEEL

A2 | A4

PASSIVATED

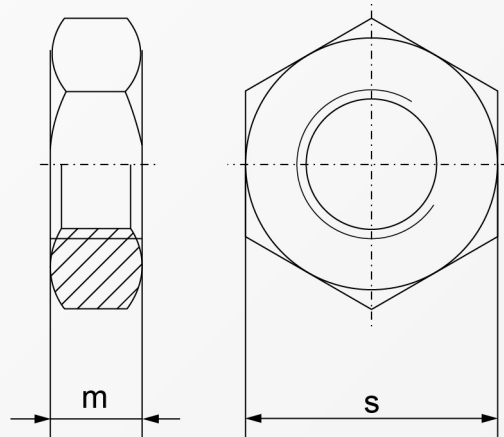


RoHS Directive Compliance



## HEXAGON THIN NUT (JAM)

STAINLESS A2 & A4



Dimensions	m <sub>max.</sub>	s <sub>ISO/DIN</sub>
M 2	1.2	4
M 2.5	1.6	5
M 3	1.8	5.5
M 3.5	2	6
M 4	2.2	7
M 5	2.7	8
M 6	3.2	10
M 8	4	13
M 10	5	16/17
M 12	6	18/19
M 14	7	21/22
M 16	8	24
M 18	9	27
M 20	10	30
M 22	11	34/32
M 24	12	36
M 27	13.5	41
M 30	15	46
M 33	16.5	50
M 35	17.5	55
M 36	18	55
M 39	19.5	60
M 42	21	65
M 48	24	75

Above datas are for reference only  
type B = chamfered

Note:  
E120 denotes Stainless A2 & E130 denotes Stainless A4

Part number built example:

e.g. (1) Diameter M6 in stainless A2 material >> SF-E120 M6  
e.g. (2) Diameter M8 in stainless A4 material >> SF-E130 M8



sales@synergixfast.com



www.synergixfast.com



Phone: +65 6 316 2630 | Fax: +65 6 316 2730