



SF-E165 SERIES  
SF-E166 SERIES

DIN 557

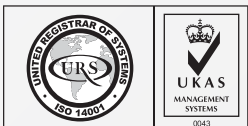
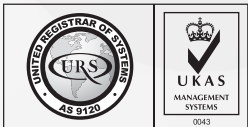
STAINLESS  
STEEL

A2 | A4

PASSIVATED

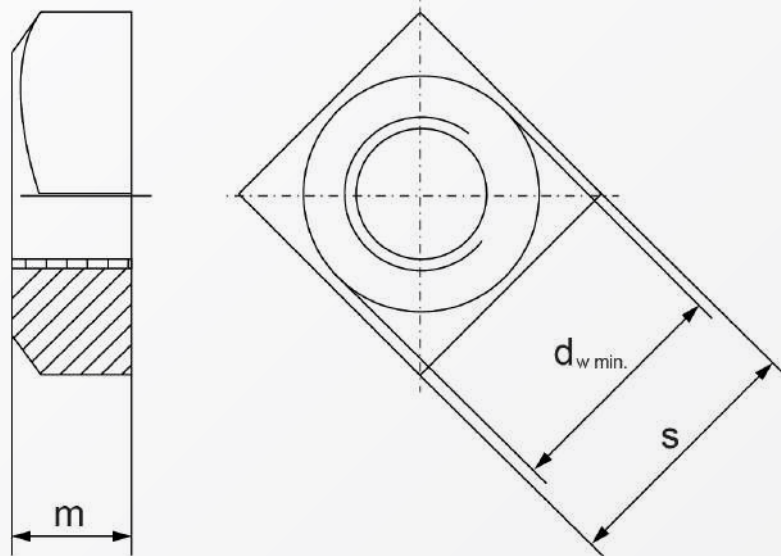


RoHS Directive Compliance



## SQUARE NUT

STAINLESS STEEL A2 & A4



Dimensions	$d_{w \text{ min.}}$	m	s
M 5	6.7	4	8
M 6	8.7	5	10
M 8	11.5	6.5	13
M 10	14.5/15.5	8	16/17
M 12	16.5/17.2	10	18/19
M 16	22	13	24

Above datas are for reference only

Note:

E165 denotes stainless steel A2 grade  
E166 denotes stainless steel A4 grade

Part number built example:

e.g. (1) Diameter M8 in stainless steel A2 grade >>SF-E165 M8

e.g. (2) Diameter M10 in stainless steel A4 grade >>SF-E166 M10



sales@synergixfast.com



www.synergixfast.com



Phone: +65 6 316 2630 | Fax: +65 6 316 2730