



SF-E180 SERIES  
SF-E182 SERIES

ISO 7042  
DIN 980~

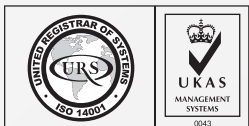
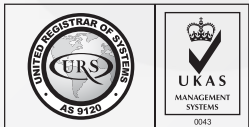
STAINLESS  
STEEL

A2 | A4

PASSIVATED

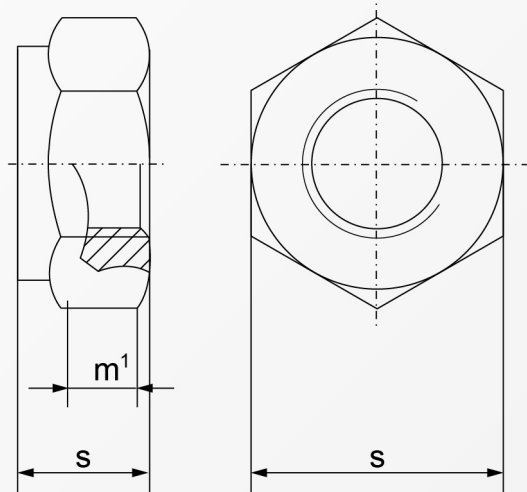


RoHS Directive Compliance



# HEXAGON ALL METAL LOCK NUT (HIGH)

STAINLESS A2 & A4



Dimensions	$h_{max.}$	$m_{min.}^{ISO/DIN}$	$s_{980/6925}$
M 3	3.7	-/1.65	5.5
M 4	4.2	-/2.2	7
M 5	5.1	3.52/2.75	8
M 6	6	3.92/3.3	10
M 8	8	5.15/4.4	13
M 10	10	6.43/5.5	17/16

Dimensions	$h_{max.}$	$m_{min.}^{ISO/DIN}$	$s_{980/6925}$
M 12	12	8.30/6.6	19/18
M 14	14	9.68/7.7	22/21
M 16	16	11.28/8.8	24
M 18	18	-/9.9	27
M 20	20	13.52/11	30
M 22	22	-/12.2	32/-
M 24	24	16.16/13.2	36
M 27	27	-/14.8	41
M 30	30	19.44/16.5	46
M 33	33	-/18.2	50
M 36	36	23.52/19.8	55

Above datas are for reference only

Note:

E180 denotes Stainless A2 & E182 denotes Stainless A4

Part number built example :

e.g. (1) Diameter M6 in stainless A2 material >>SF-E180 M6

e.g. (2) Diameter M8 in stainless A4 material >>SF-E182 M8



sales@synergixfast.com



www.synergixfast.com



Phone: +65 6 316 2630 | Fax: +65 6 316 2730