



SF-E184 SERIES
SF-E186 SERIES

DIN 934~ (Ref.)
ISO 4032~ (Ref.)

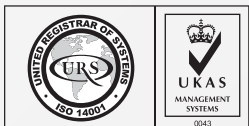
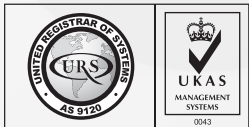
STAINLESS
STEEL

A2 | A4

PASSIVATED

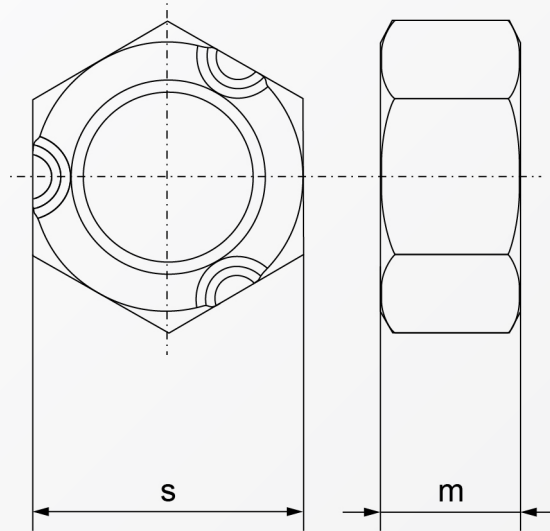


RoHS Directive Compliance



HEXAGON LOCK NUT 3-POINT CRUSH (METAL)

STAINLESS STEEL A2 & A4



Dimensions	m _{ISO/DIN}	s _{ISO/DIN}
M 3	2.4	5.5
M 4	3.2	7
M 5	4.7/4	8
M 6	5.2/5	10
M 8	6.8/6.5	13
M 10	8.4/8	16/17
M 12	10.8/10	18/19
M 14	12.8/11	21/22
M 16	14.8/13	24
M 18	15.8/15	27
M 20	18/16	30
M 22	19.4/18	34/32
M 24	21.5/19	36

Above datas are for reference only
Product imaging, are referencing to the 3-crush points

Part number built example :

e.g. (1) Diameter M8 in stainless A2 material >> SF-E184 M8
e.g. (1) Diameter M10 in stainless A4 material >> SF-E186 M10



sales@synergixfast.com



www.synergixfast.com



Phone: +65 6 316 2630 | Fax: +65 6 316 2730