



SF-E188 SERIES  
SF-E189 SERIES

ISO 7040  
DIN 982~

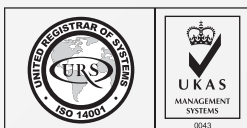
STAINLESS  
STEEL

A2 | A4

PASSIVATED

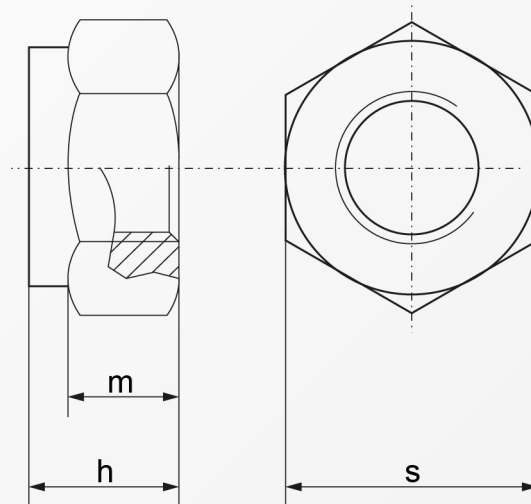


RoHS Directive Compliance



## HEXAGON LOCK NUT WITH NYLON INSERT (THICK TYPE)

STAINLESS A2 & A4



Dimensions	$h_{\text{ISO/DIN}}$	$m_{\text{min.}}$	$s_{\text{ISO/DIN}}$
M 3	4.5	2.15	5.5
M 4	6	2.9	7
M 5	6.8/6.3	4.4	8
M 6	8	4.9	10
M 8	9.5	6.44	13
M 10	11.9/11.5	8.04	16/17
M 12	14.9/14	10.37	18/19
M 14	17/16	12.1	21/22
M 16	19.1/18	14.1	24
M 20	22.8/22	16.9	30
M 24	27.1/28	20.2	36

Above datas are for reference only  
For use at temperature -50 to +120 degree

Note:  
E188 denotes Stainless A2 & E189 denotes Stainless A4

Part number built example:

e.g. (1) Diameter M6 in stainless A2 material >>SF-E188 M6  
e.g. (2) Diameter M8 in stainless A4 material >>SF-E189 M8



sales@synergixfast.com



www.synergixfast.com



Phone: +65 6 316 2630 | Fax: +65 6 316 2730