



SF-E196 SERIES
SF-E197 SERIES

EN 1661
DIN 6923~

STAINLESS
STEEL

A2 | A4

PASSIVATED

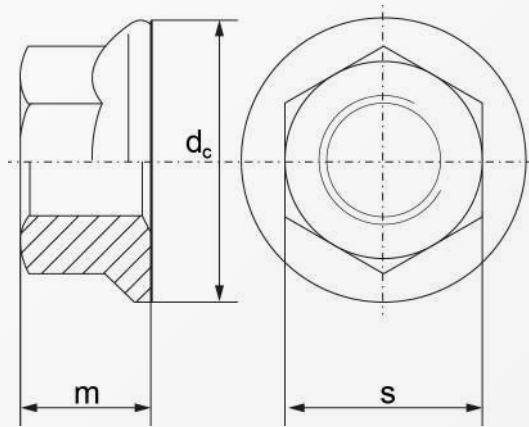


RoHS Directive Compliance



HEXAGON FLANGE NUT

STAINLESS A2 & A4



Dimensions	$d_{c \text{ max.}}$	$m_{\text{max.}}$	s
M 4	10	4.65	7
M 5	11.8	5	8
M 6	14.2	6	10
M 8	17.9	8	13
M10	21.8	10	15
M 12	26	12	18
M 16	34.5	16	24
M 20	42.8	20	30

Above datas are for reference only

Note:

E196 denotes Stainless A2 & E197 denotes Stainless A4

Part number built example :

e.g. (1) Diameter M6 in stainless A2 material >>SF-E196 M6

e.g. (2) Diameter M8 in stainless A4 material >>SF-E197 M8



sales@synergixfast.com



www.synergixfast.com



Phone: +65 6 316 2630 | Fax: +65 6 316 2730