



SF-E236 SERIES
SF-E237 SERIES

DIN 6923~ (Ref.)

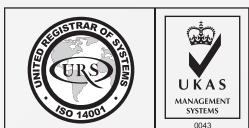
STAINLESS
STEEL

A2 | A4

PASSIVATED

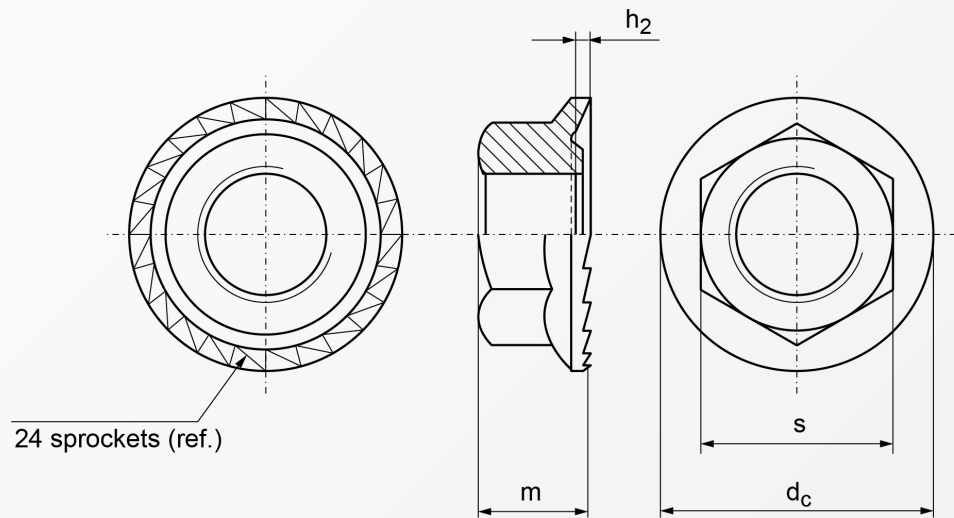


RoHS Directive Compliance



HEXAGON FLANGE NUT W/SERRATION

STAINLESS STEEL A2 & A4



Dimensions	d_c	m	$h_{2 \text{ min.}}$	qty. serrations (Ref.)
M 5	11.2	4.3	0.15	24
M 6	14.25	5.5	0.17	24
M 8	18.25	7	0.2	24
M10	21	7.9	0.25	24
M 12	24	8.7	0.25	24
M16	31	11.2	0.28	24

Above datas are for reference only

Note:
E236 denotes stainless steel A2 grade
E237 denotes stainless steel A4 grade

Part number built example :

e.g. (1) Diameter M8 in stainless steel A2 grade >>SF-E236 M8
e.g. (2) Diameter M6 in stainless steel A4 grade >>SF-E237 M6



sales@synergixfast.com



www.synergixfast.com



Phone: +65 6 316 2630 | Fax: +65 6 316 2730