



SF-E280 SERIES  
SF-E285 SERIES

DIN 315

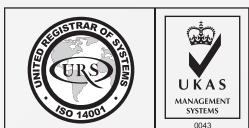
STAINLESS  
STEEL

A2 | A4

PASSIVATED

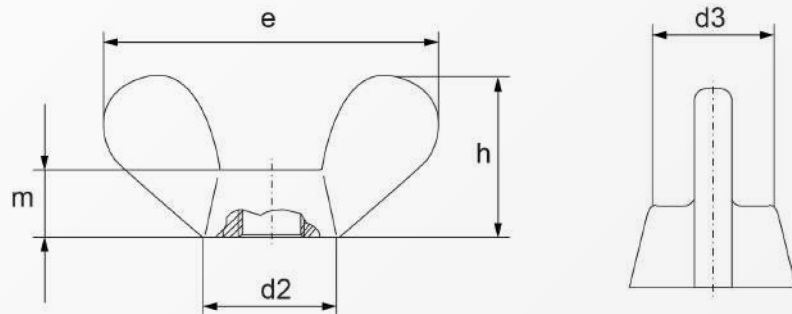


RoHS Directive Compliance



## WING NUTS

STAINLESS STEEL A2 & A4



Dimensions	e <sub>max.</sub>	h <sub>max.</sub>	m <sub>max.</sub>	d <sub>2max.</sub>	d <sub>3max.</sub>
M 3*	19	9.5	3.9	7	6
M 4	20	10.5	4.6	8	7
M 5	26	13	6.5	11	9
M 6	33	17	8	13	11
M 8	39	20	10	16	12.5
M 10	51	25	12	20	16.5
M 12	65	33.5	14	23	19.5
M 14**	63.5	32.3	12	21.5	-
M 16	73	37.5	17	29	23
M 20	90	46.5	21	35	29
M 24	110	56.5	25	44	37.5

Above datas are for reference only

\* acc to DIN 315:1956

\*\* not standardized, reference values

Part number built example:

e.g. (1) Diameter M8 in stainless A2 material >>SF-E280 M8

e.g. (2) Diameter M5 in stainless A4 material >>SF-E285 M5



sales@synergixfast.com



www.synergixfast.com



Phone: +65 6 316 2630 | Fax: +65 6 316 2730