



SF-G002 SERIES

JIS B 1111

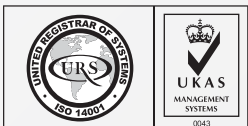
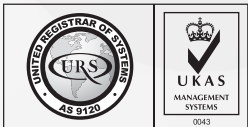
STEEL

4.8

ZINC PLATE

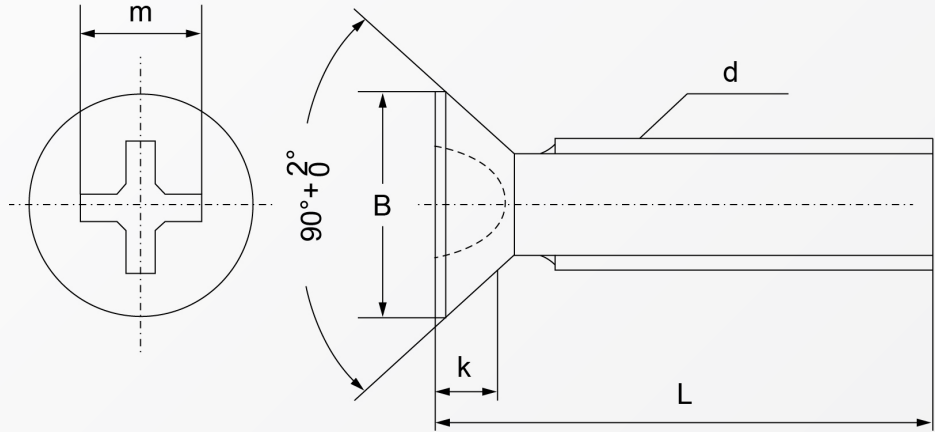


RoHS Directive Compliance



JIS COUNTERSUNK HEAD SCREW (FLAT) PHILIPS CROSS RECESS

STEEL GRADE 4.8 ZINC



Screw nominal (Ø d)	Pitch (P)	Number of crosshole	Reference dimension		Length
			B	k	
M2	0.4	1	4	1.2	from 3mm
M2.6	0.45		5.2	1.5	from 4mm
M3	0.5	2	6	1.75	from 4mm
M4	0.7		8	2.3	from 5mm
M5	0.8		10	2.8	from 6mm
M6	1	3	12	3.4	from 8mm
M8	1.25		16	4.4	from 10mm
M10	1.5	4	20	5.4	from 16mm

Above datas are for reference only
m dimension = ref.

Note:
G002 denotes steel 4.8 zinc

Part number built example :

e.g. (1) Diameter 3X12 thread in steel 4.8 zinc >> SF-G002 3X12



sales@synergixfast.com



www.synergixfast.com



Phone: +65 6 316 2630 | Fax: +65 6 316 2730