



SF-G101 SERIES  
SF-G106 SERIES

JIS B 1111

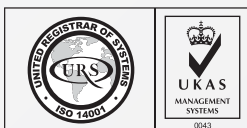
STAINLESS  
STEEL

A2 | A4

PASSIVATED

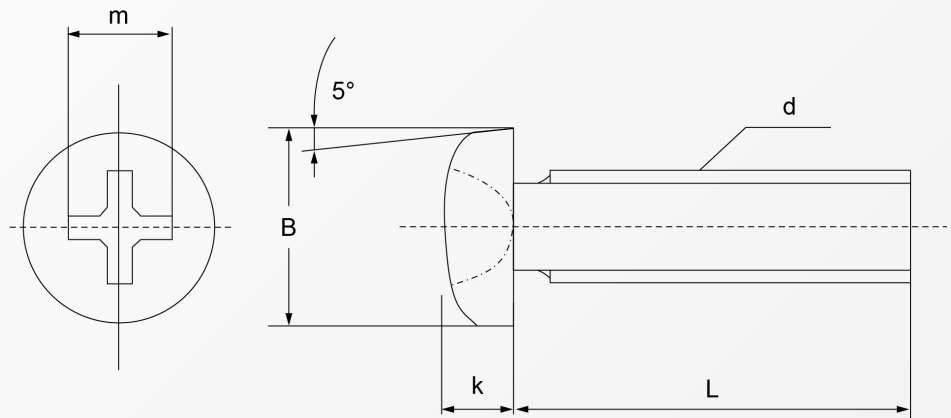


RoHS Directive Compliance



# JIS PAN HEAD SCREW PHILIPS CROSS RECESS

STAINLESS A2 & A4



Screw nominal ( $\varnothing d$ )	Pitch (P)	Number of crosshole	Reference dimension		Length
			B	k	
M2	0.4	1	3.5	1.3	from 3mm
M2.6	0.45	1	4.5	1.7	from 4mm
M3	0.5	2	5.5	2	from 4mm
M4	0.7	2	7	2.6	from 5mm
M5	0.8	2	9	3.3	from 6mm
M6	1	3	10.5	3.9	from 8mm
M8	1.25	3	14	5.2	from 10mm
M10	1.5	4	17.5	6.5	from 16mm

Above datas are for reference only  
m dimension = ref.

Note:

G101 denotes Stainless A2 & G106 denotes Stainless A4

Part number built example:

e.g. (1) Diameter M3 X 12 in stainless A2 material, philips drive >>SF-G101 3X12

e.g. (2) Diameter M5 X 25 in stainless A4 material, philips drive >>SF-G106 5X25



sales@synergixfast.com



www.synergixfast.com



Phone: +65 6 316 2630 | Fax: +65 6 316 2730