



SF-G111 SERIES
SF-G116 SERIES

JIS B 1111

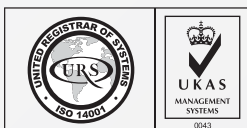
STAINLESS
STEEL

A2 | A4

PASSIVATED

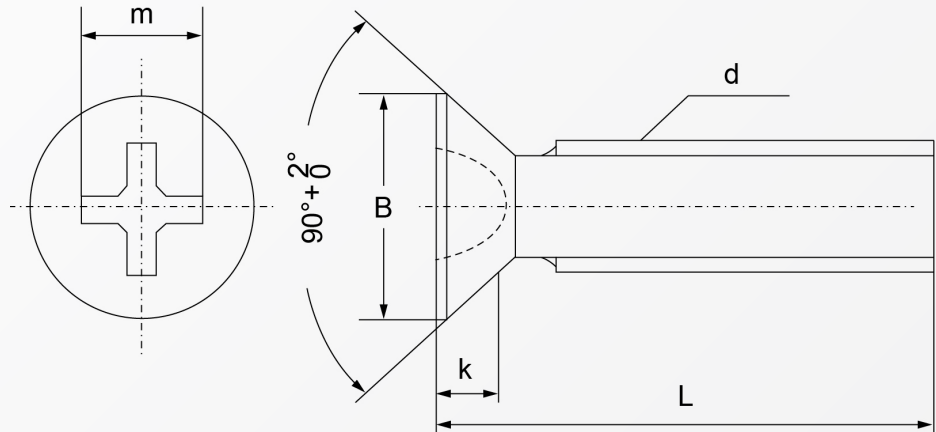


RoHS Directive Compliance



JIS COUNTERSUNK HEAD SCREW (FLAT) PHILIPS CROSS RECESS

STAINLESS A2 & A4



Screw nominal (Ø d)	Pitch (P)	Number of crosshole	Reference dimension		Length
			B	k	
M2	0.4	1	4	1.2	from 3mm
M2.6	0.45		5.2	1.5	from 4mm
M3	0.5	2	6	1.75	from 4mm
M4	0.7		8	2.3	from 5mm
M5	0.8		10	2.8	from 6mm
M6	1	3	12	3.4	from 8mm
M8	1.25		16	4.4	from 10mm
M10	1.5	4	20	5.4	from 16mm

Above datas are for reference only
m dimension = ref.

Note:

G111 denotes Stainless A2 & G116 denotes Stainless A4

Part number built example:

e.g. (1) Diameter M2 X 12 in stainless A2 material, philips drive >>SF-G111 2X12

e.g. (2) Diameter M4 X 16 in stainless A4 material, philips drive >>SF-G116 4X16



sales@synergixfast.com



www.synergixfast.com



Phone: +65 6 316 2630 | Fax: +65 6 316 2730