



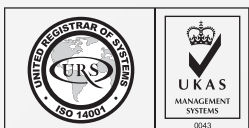
SF-I001 SERIES
SF-I002 SERIES
SF-I003 SERIES

ISO 7089
DIN 125A

STEEL

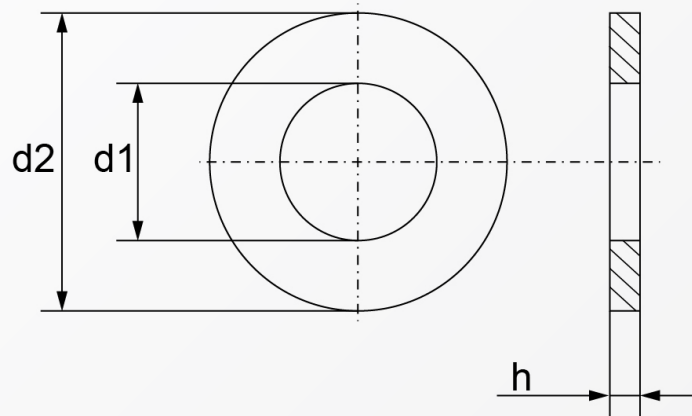
HV RATED
140 | 200 | 300

ZINC PLATE



FLAT WASHERS

STEEL ZINC (HV RATED)



Nominal size = for screw		ISO 7089 (DIN 125A)		
Metric (M)	Inch (")	d1	d2	h
1		1.1	3	0.3
1.2		1.3	3.5	0.3
1.4		1.5	4	0.3
1.6		1.7	4	0.3
*1.7		1.8	4.5	0.3
1.8		2.0	4.5	0.3
2		2.2	5	0.3
2.2		2.4	6	0.5
2.5		2.7	6	0.5
*2.6		2.8	7	0.5
3		3.2	7	0.5
3.5		3.7	8	0.5
4	*1/8"	4.3	9	0.8
5	*3/16	5.3	10	1
6		6.4	12	1.6
7	*1/4"	7.4	14	1.6
8	*5/16	8.4	16	1.6
10	*3/8"	10.5	20	2
12	*7/16"	13	24	2.5
	*1/2"	13.5	24	2.5
14		15	28	2.5
	*9/16"			
16	*5/8	17	30	3
18		19	34	3
20	*3/4"	21	37	3
	*13/16			

Above datas are for reference only
*not included in ISO product standards → ISO 887

Note:
I001 denotes steel in HV 140 zinc plate
I002 denotes steel in HV 200 zinc plate
I003 denotes steel in HV 300 zinc plate

Part number built example:
e.g. (1) Diameter M8 in steel HV 140 »SF-I001 M8
e.g. (2) Diameter M6 in steel HV 200 »SF-I002 M6
e.g. (1) Diameter M2 in steel HV 300 »SF-I003 M12



sales@synergixfast.com

www.synergixfast.com

Phone: +65 6 316 2630 | Fax: +65 6 316 2730