

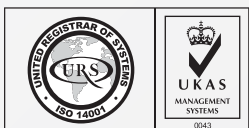


## SF-1005 SERIES

JIS B 1256~ (Ref.)

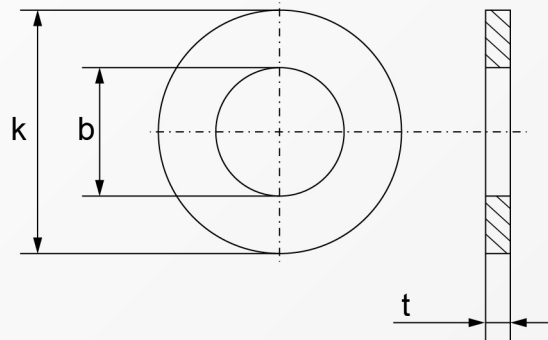
STEEL

ZINC



# JIS FLAT WASHERS

## STEEL ZINC



Diameter	Inner diameter (b)		(k) & (t)		
	Standard dimensions	tolerance	Outer diameter (k)		Thickness (t)
			Standard dimensions	tolerance	
2	2.3	+0.15 / 0	6	0 / -0.3	0.4
2.3	2.6		7		0.5
2.6	2.9		7.5		0.5
3	3.3	+0.2 / 0	8	0 / -0.35	0.5
3.5	3.8		9		0.5
4	4.5		10		0.8
(4.5)	5		12		0.8
5	5.5	+0.25 / 0	12	0 / -0.4	0.8
6	6.5		13		1
8	8.5		18		1.6
10	10.5	+0.3 / 0	22	0 / -0.5	1.6
12	12.5		26		2.3
(14)	15		30		2.6
16	17		32		2.6
(18)	19	+0.35 / 0	36	0 / -0.6	2.6
20	21		40		3.2
22	23.5		44		3.2
24	25.5		48		4
(27)	28.5	+0.4 / 0	52	0 / -0.8	4
30	31.5		58		4.5
(33)	34.5		62		4.5
36	38		68		5
(39)	41		72		5
42	44		78		6
45	47	0 / -1	82	0 / -1	6
48	50		88		6

Above datas are for reference only  
(\* ) Odd size

Note:  
I005 denotes JIS rated washer in steel zinc

Part number built example:

e.g. (1) Diameter M12 in steel zinc, JIS rated >>SF-I005 M12



sales@synergixfast.com



www.synergixfast.com



Phone: +65 6 316 2630 | Fax: +65 6 316 2730