

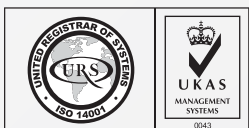


## SF-I015 SERIES

DIN 7349

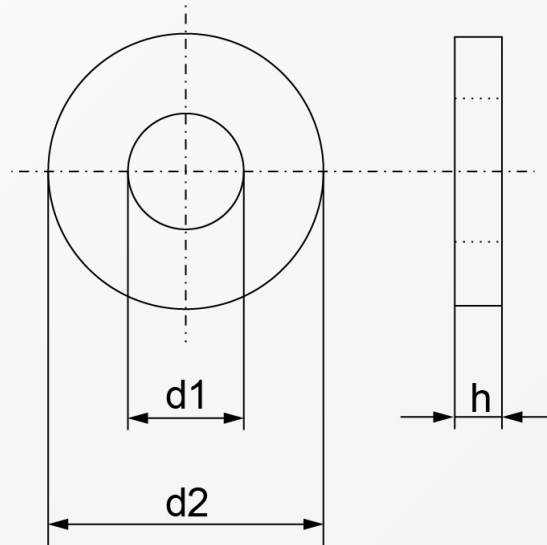
STEEL

ZINC PLATED



# THICK FLAT WASHERS (FOR BOLTS)

STEEL ZINC PLATED



$d_1$	$d_2$	$h$
3.2	9	1
4.3	12	1.6
5.3	15	2
6.4	17	3
8.4	21	4
10.5	25	4
13	30	6
15	36	6
17	40	6
19	44	8
21	44	8
23	50	8
25	50	10
28	60	10
31	68	10

Above datas are for reference only  
 \*not included in ISO product standards → ISO 887

Part number built example:

e.g. (1) Diameter M8 in steel zinc material >> SF-I015 M8



sales@synergixfast.com



www.synergixfast.com



Phone: +65 6 316 2630 | Fax: +65 6 316 2730