



SF-I020 SERIES

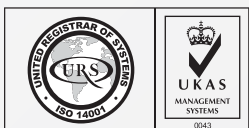
DIN 127B

SPRING STEEL

ZINC

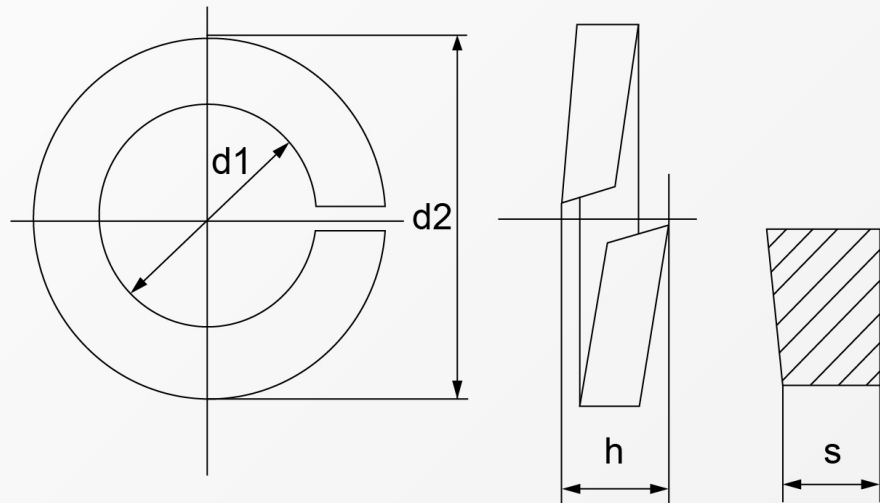


RoHS Directive Compliance



SPRING LOCK WASHER TYPE B

STEEL ZINC



Dimension	d ₁	d ₂	s	h _{type B}	Dimension	d ₁	d ₂	s	h _{type B}
2	2.1	4.4	0.5	1.2	16	16.2	27.4	3.5	7
2.3	2.3	4.8	0.6	1.4	18	18.2	29.4	3.5	7
2.5	2.6	5.1	0.6	1.4	20	20.2	33.6	4	8
2.6*	3	5.2	0.6	1.4	22	22.5	35.9	4	8
3	3.1	6.2	0.8	1.6	24	24.5	40	5	10
3.5	3.6	6.7	0.8	1.6	27	27.5	43	5	10
4	4.1	7.6	0.9	1.8	30	30.5	48.2	6	12
5	5.1	9.2	1.2	2.4	33	33.5	53.2	6	12
6	6.1	11.8	1.6	3.2	36	36.5	58.2	6	12
7	7.1	12.8	1.6	3.2	39	39.5	61.2	6	12
8	8.1	14.8	2	4	42	42.5	68.2	7	14
10	10.2	18.1	2.2	4.4	45	45.5	71.2	7	14
12	12.2	21.1	2.5	5	48	49	75	7	14
14	14.2	24.1	3	6					

Above datas are for reference only
* denotes not standardized, reference values

Note:
I020 denotes steel zinc plate

Part number built example:
e.g. (1) Diameter M8 in steel zinc >>SF-I020 M8



sales@synergixfast.com

www.synergixfast.com

Phone: +65 6 316 2630 | Fax: +65 6 316 2730