



SF-I025 SERIES

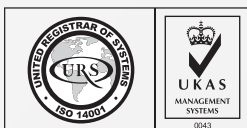
DIN 137A

SPRING STEEL

ZINC

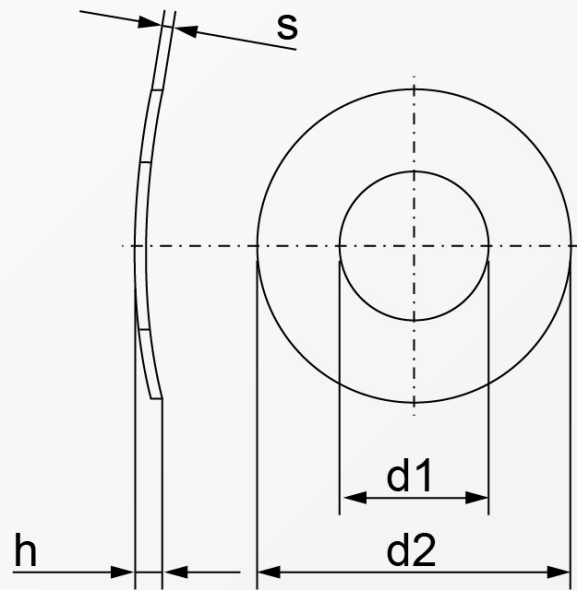


RoHS Directive Compliance



CURVED SPRING WASHER (TYPE A)

SPRING STEEL ZINC



Dimension	d ₁	d ₂	s	h
3	3.2	8	0.5	1.6
3.5	3.7	8	0.5	1.8
4	4.3	9	0.5	2
5	5.3	11	0.5	2.2
6	6.4	12	0.5	2.6
7	7.4	14	0.8	3
8	8.4	15	0.8	3
10	10.5	21	1	4.2
12	13	24	1.2	5
14	15	28	1.6	6
16	17	30	1.6	6.4
18	19	34	1.6	6.6
20	21	36	1.6	7.4
22	23	40	1.8	7.8
24	25	44	1.8	8.2
27	28	50	2	9.4
30	31	56	2.2	10
33	34	60	2.2	10.6
36	37	68	2.5	11.6

Above datas are for reference only

Note:
I025 denotes steel zinc plate

Part number built example:

e.g. (1) Diameter M4 in steel zinc

»SF-I025 M4



sales@synergixfast.com



www.synergixfast.com



Phone: +65 6 316 2630 | Fax: +65 6 316 2730