

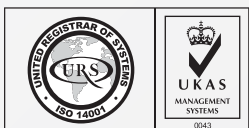


## SF-I040 SERIES

DIN 6797J

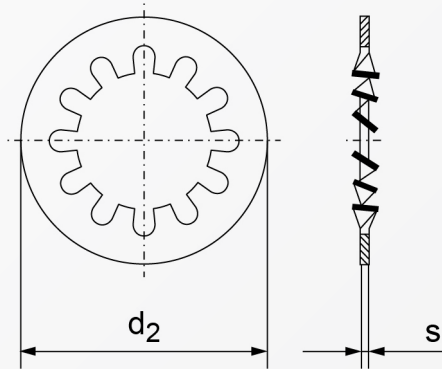
SPRING STEEL

ZINC



# INTERNAL TOOTH LOCK WASHERS (TYPE J = INTERNAL TEETH)

STEEL ZINC



| Dimensions | $d_{2 \text{ form A/J}}$ | $S_{\text{type A/J}}$ | for thread $\emptyset$ |
|------------|--------------------------|-----------------------|------------------------|
| 3.2        | 6                        | 0.4                   | M3                     |
| 3.7        | 7                        | 0.5                   | M3.5                   |
| 4.3        | 8                        | 0.5                   | M4                     |
| 5.3        | 10                       | 0.6                   | M5                     |
| 6.4        | 11                       | 0.7                   | M6                     |
| 7.4        | 12.5                     | 0.8                   | M7                     |
| 8.4        | 15                       | 0.8                   | M8                     |
| 10.5       | 18                       | 0.9                   | M10                    |
| 12.5*      | 20.5                     | 1                     | M12                    |
| 13         | 20.5                     | 1                     | M12                    |
| 15         | 24                       | 1                     | M14                    |
| 17         | 26                       | 1.2                   | M16                    |
| 19         | 30                       | 1.4                   | M18                    |
| 21         | 33                       | 1.4                   | M20                    |
| 23         | 36                       | 1.5                   | M22                    |
| 25         | 38                       | 1.5                   | M24                    |
| 28         | 44                       | 1.6                   | M27                    |
| 31         | 48                       | 1.6                   | M30                    |

Above datas are for reference only  
\*acc. to DIN 6797:1971

Note:  
I040 denotes steel zinc plate

Part number built example:  
e.g. (1) Diameter M5 in steel zinc      >>SF-I040 M5



sales@synergixfast.com



www.synergixfast.com



Phone: +65 6 316 2630 | Fax: +65 6 316 2730