



SF-1060 SERIES

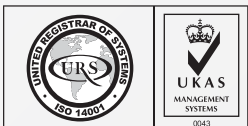
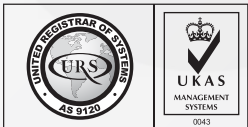
DIN 6798J

SPRING STEEL

ZINC

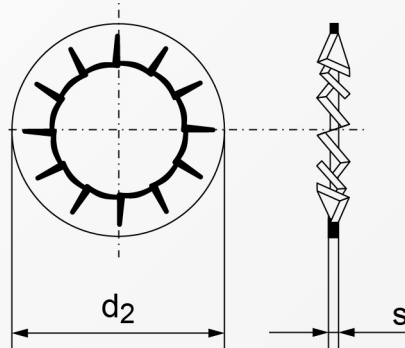


RoHS Directive Compliance



INTERNAL SERRATED LOCK WASHER (TYPE J = INTERNAL TEETH)

SPRING STEEL ZINC



type I = internal teeth

Dimensions	$d_{2 \text{ form J}}$	$S_{\text{type J}}$	for thread \emptyset
2.2	4.5	0.3	M2
2.5*	5	0.4	M2.3
2.7	5.5	0.4	M2.5
3.2	6	0.4	M3
3.7	7	0.5	M3.5
4.3	8	0.5	M4
5.3	10	0.6	M5
6.4	11	0.7	M6
7.4	12.5	0.8	M7
8.4	15	0.8	M8
10.5	18	0.9	M10
13	20.5	1	M12
15	24	1	M14
17	26	1.2	M16
19	30	1.4	M18
21	33	1.4	M20
23	36	1.5	M22
25	38	1.5	M24
28	44	1.6	M27
31	48	1.6	M30

Above datas are for reference only
*acc. to DIN 6798:1971

Part number built example:

e.g. (1) Diameter M12 in spring steel zinc >>SF-1060 M12



sales@synergixfast.com



www.synergixfast.com



Phone: +65 6 316 2630 | Fax: +65 6 316 2730