



SF-1065 SERIES

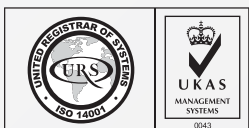
DIN 93

STEEL

ZINC

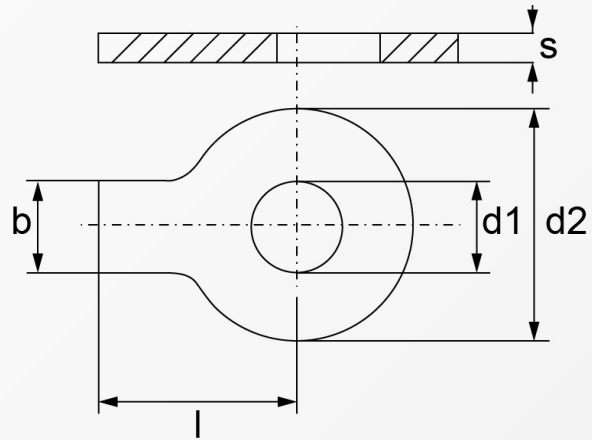


RoHS Directive Compliance



TAP WASHERS (LONG TAP)

STEEL ZINC



Dimension	d ₂	b	l	s	for thread Ø
3.2	12	4	13	0.38	3
4.3	14	5	14	0.38	4
4.3	14	5	14	0.38	4
5.3	17	6	16	0.5	5
6.4	19	7	18	0.5	6
8.4	22	8	20	0.75	8
10.5	26	10	22	0.75	10
13	30	12	28	1	12
15	33	12	28	1	14
17	36	15	32	1	16
19	40	18	36	1	18
21	42	18	36	1	20
23	50	20	42	1	22
25	50	20	42	1	24
28	58	23	48	1.6	27
31	63	26	52	1.6	30
34	68	28	56	1.6	33
37	75	30	60	1.6	36
40	82	32	64	1.6	39
43	88	35	70	1.6	42
46	95	38	75	1.6	45
50	100	40	80	1.6	48
54	105	44	85	1.6	52

Above datas are for reference only
d1 = nominal size

Note:
I065 denotes tab washer in steel zinc

Part number built example:
e.g. (1) Diameter 8.4 in steel zinc >>SF-1065 8.4



sales@synergixfast.com



www.synergixfast.com



Phone: +65 6 316 2630 | Fax: +65 6 316 2730