



SF-1075 SERIES

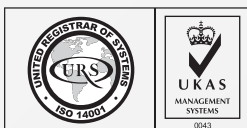
SCHNORR S (Ref.)

SPRING STEEL

MECHANICAL ZINC

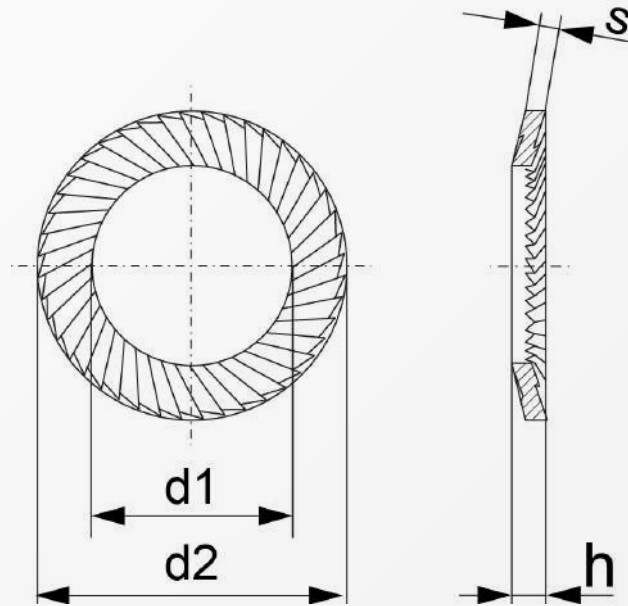


RoHS Directive Compliance



RIBBED LOCK WASHERS (TYPE S)

SPRING STEEL ZINC (MECH.)



Dimensions	d ₁	d ₂	s	h	for inch thread Ø
2	2.2	4	0.35	0.6	-
2.5	2.7	4.8	0.45	0.9	-
3	3.2	5.5	0.45	0.9	1/8"
3.5	3.7	6	0.45	0.9	-
4	4.3	7	0.5	1	5/32"
5	5.3	9	0.6	1.1	3/16"
6	6.4	10	0.7	1.2	-
7	7.4	12	0.7	1.3	-
8	8.4	13	0.8	1.4	5/16"
10	10.5	16	1	1.6	3/8"
12	13	18	1.1	1.7	-
14	15	22	1.2	2	9/16"
16	17	24	1.3	2.1	5/8"
18	19	27	1.5	2.3	-
20	21	30	1.5	2.5	-
22	23	33	1.5	2.7	7/8"
24	25.6	36	1.8	2.9	-
27	28.6	39	2	3.1	-
30	31.6	45	2	3.6	1 1/8"
36	38	54	2.5	4.2	1 3/8"

Above datas are for reference only

Note:
I075 denotes type (S)

Part number built example:
e.g. (1) Diameter M10 in type (S) »SF-I075 M10



sales@synergixfast.com



www.synergixfast.com



Phone: +65 6 316 2630 | Fax: +65 6 316 2730