



SF-I085 SERIES
SF-I086 SERIES

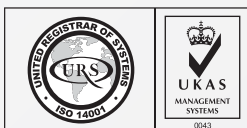
ISO 7092
DIN 433

STEEL CARBON
STEEL HV RATED 200

ZINC PLATE

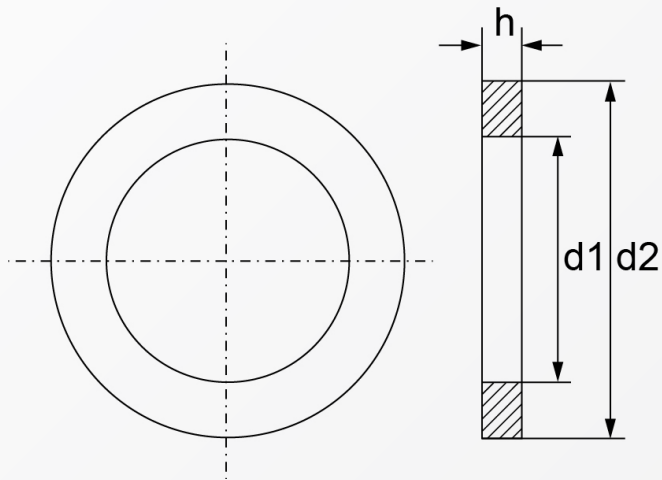


RoHS Directive Compliance



FLAT WASHERS (SMALL OD)

STEEL ZINC (HV 200**)



Nominal size = for screw		ISO 7092 (DIN 433)		
Metric (M)	Inch (")	d1	d2	h
1		1.1	2.5	0.3
1.2		1.3	3	0.3
1.4		1.5	3	0.3
1.6		1.7	3.5	0.3
*1.7				
1.8		2.0	4	0.3
2		2.2	4.5	0.3
2.2		2.4	4.5	0.3
2.5		2.7	5	0.5
*2.6				
3		3.2	6	0.5
3.5		3.7	7	0.5
4	*1/8"	4.3	10	0.5
5	*3/16	5.3	9	1
6		6.4	11	1.6
7	*1/4"	7.4	12	1.6
8	*5/16	8.4	15	1.6

Above datas are for reference only

*not included in ISO product standards → ISO 887

** HV 200 rating

Note:

I085 denotes steel zinc plate

I086 denotes steel in HV 200 zinc plate**

Part number built example:

e.g. (1) Diameter M8 in steel

» SF-I085 M8

e.g. (2) Diameter M6 in steel HV 200

» SF-I086 M6



sales@synergixfast.com



www.synergixfast.com



Phone: +65 6 316 2630 | Fax: +65 6 316 2730