



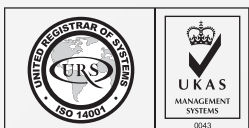
SF-I100 SERIES
SF-I110 SERIES

ISO 7089
DIN 125A

STAINLESS
STEEL

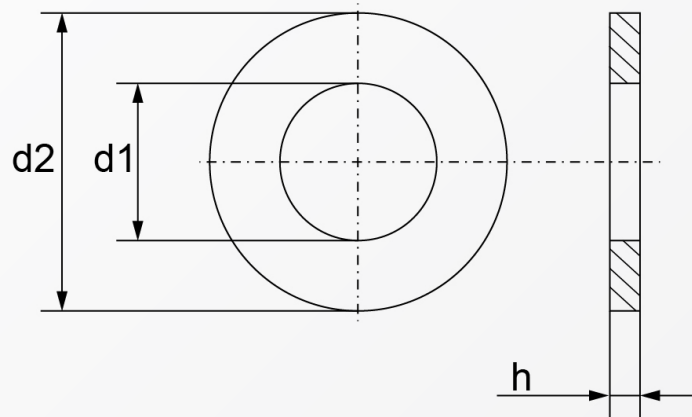
A2 | A4

PASSIVATED



FLAT WASHERS

STAINLESS STEEL A2 & A4



Nominal size = for screw		ISO 7089 (DIN 125A)		
Metric (M)	Inch (")	d1	d2	h
1		1.1	3	0.3
1.2		1.3	3.5	0.3
1.4		1.5	4	0.3
1.6		1.7	4	0.3
*1.7		1.8	4.5	0.3
1.8		2.0	4.5	0.3
2		2.2	5	0.3
2.2		2.4	6	0.5
2.5		2.7	6	0.5
*2.6		2.8	7	0.5
3		3.2	7	0.5
3.5		3.7	8	0.5
4	*1/8"	4.3	9	0.8
5	*3/16	5.3	10	1
6		6.4	12	1.6
7	*1/4"	7.4	14	1.6
8	*5/16	8.4	16	1.6
10	*3/8"	10.5	20	2
12	*7/16"	13	24	2.5
	*1/2"	13.5	24	2.5
14		15	28	2.5
	*9/16"			
16	*5/8	17	30	3
18		19	34	3
20	*3/4"	21	37	3
	*13/16			

Above datas are for reference only
*not included in ISO product standards → ISO 887

Part number built example:
e.g. (1) Diameter M5 in stainless A2 material >>SF-I100 M5
e.g. (2) Diameter M10 in stainless A4 material >>SF-I110 M10



sales@synergixfast.com



www.synergixfast.com



Phone: +65 6 316 2630 | Fax: +65 6 316 2730



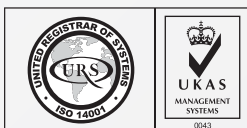
SF-I100 SERIES
SF-I110 SERIES

ISO 7089
DIN 125A

STAINLESS
STEEL

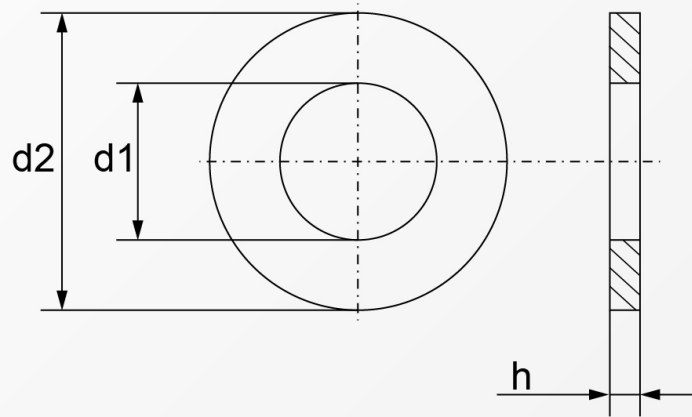
A2 | A4

PASSIVATED



FLAT WASHERS

STAINLESS STEEL A2 & A4



Nominal size = for screw		ISO 7089 (DIN 125A)		
Metric (M)	Inch (")	d1	d2	h
22	*7/8"	23	39	3
24		25	44	4
	*1"	27	50	4
27		28	50	4
30	*1 1/8"	31	56	4
33	*1 1/4"	34	60	5
	*1 3/8"			
36	*1 3/8"	37	66	5
39	*1 1/2"	42(40)	72	6
42		45(43)	78	8
45	*1 3/4"	48(46)	85	8
48		52(50)	92	8
52	*2"	56(54)	98	8
56		62(58)	105	10
	*2 1/4"	60	110	9
60		66(62)	110	10.0
64	*2 1/2"	70(66)	115	10
68		74(70)	120	10
72	*2 3/4"	78(74)	125	10
76	*3"	82(78)	135	10
80		86(82)	140	12
90	*3 1/2"	96(93)	160	12

Above datas are for reference only
*not included in ISO product standards → ISO 887

Part number built example:
e.g. (1) Diameter M5 in stainless A2 material >>SF-I100 M5
e.g. (2) Diameter M10 in stainless A4 material >>SF-I110 M10



sales@synergixfast.com



www.synergixfast.com



Phone: +65 6 316 2630 | Fax: +65 6 316 2730