



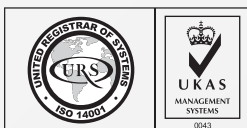
**SF-I102 SERIES**  
**SF-I112 SERIES**

JIS B 1256~ (Ref.)

**STAINLESS**  
**STEEL**

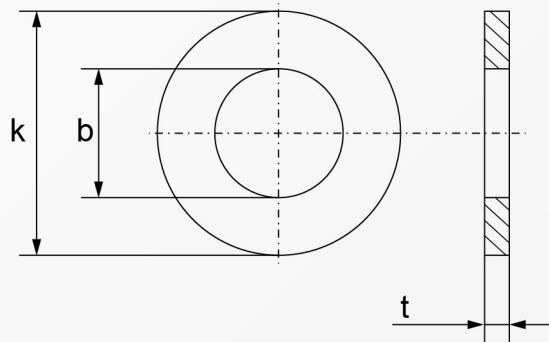
**A2 | A4**

**PASSIVATED**



# JIS FLAT WASHERS

## STAINLESS STEEL A2 & A4



| Diameter | Inner diameter (b)  |           | (k) & (t)           |            |               |
|----------|---------------------|-----------|---------------------|------------|---------------|
|          | Standard dimensions | tolerance | Outer diameter (k)  |            | Thickness (t) |
|          |                     |           | Standard dimensions | tolerance  |               |
| 2        | 2.3                 | +0.15 / 0 | 6                   | 0 / - 0.3  | 0.4           |
| 2.3      | 2.6                 |           | 7                   | 0 / - 0.35 | 0.5           |
| 2.6      | 2.9                 | 7.5       | 0.5                 |            |               |
| 3        | 3.3                 | 8         | 0.5                 |            |               |
| 3.5      | 3.8                 | 9         | 0.5                 |            |               |
| 4        | 4.5                 | 10        | 0.8                 |            |               |
| (4.5)    | 5                   | +0.2 / 0  | 12                  | 0 / - 0.4  | 0.8           |
| 5        | 5.5                 |           | 12                  |            | 0.8           |
| 6        | 6.5                 |           | 13                  | 1          |               |
| 8        | 8.5                 | +0.25 / 0 | 18                  | 0 / - 0.5  | 1.6           |
| 10       | 10.5                | +0.3 / 0  | 22                  |            | 1.6           |
| 12       | 12.5                |           | 26                  |            | 2.3           |
| (14)     | 15                  | +0.35 / 0 | 30                  | 0 / - 0.6  | 2.6           |
| 16       | 17                  |           | 32                  |            | 2.6           |
| (18)     | 19                  |           | 36                  |            | 2.6           |
| 20       | 21                  | 40        | 3.2                 |            |               |
| 22       | 23.5                | 44        | 3.2                 |            |               |
| 24       | 25.5                | +0.4 / 0  | 48                  | 0 / - 0.8  | 4             |
| (27)     | 28.5                |           | 52                  |            | 4             |
| 30       | 31.5                |           | 58                  | 4.5        |               |
| (33)     | 34.5                | +0.4 / 0  | 62                  | 0 / - 1    | 4.5           |
| 36       | 38                  |           | 68                  |            | 5             |
| (39)     | 41                  |           | 72                  |            | 5             |
| 42       | 44                  | 78        | 6                   |            |               |
| 45       | 47                  | 82        | 6                   |            |               |
| 48       | 50                  | 88        | 6                   |            |               |

Above data are for reference only  
(\* ) Odd size

Part number built example:

e.g. (1) Diameter M8 in stainless A2 material >>SF-I102 M8

e.g. (2) Diameter M6 in stainless A4 material >>SF-I112 M6



sales@synergixfast.com



www.synergixfast.com



Phone: +65 6 316 2630 | Fax: +65 6 316 2730