



SF-I120 SERIES
SF-I130 SERIES

DIN 127B

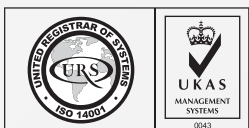
STAINLESS
STEEL

A2 | A4

PASSIVATED

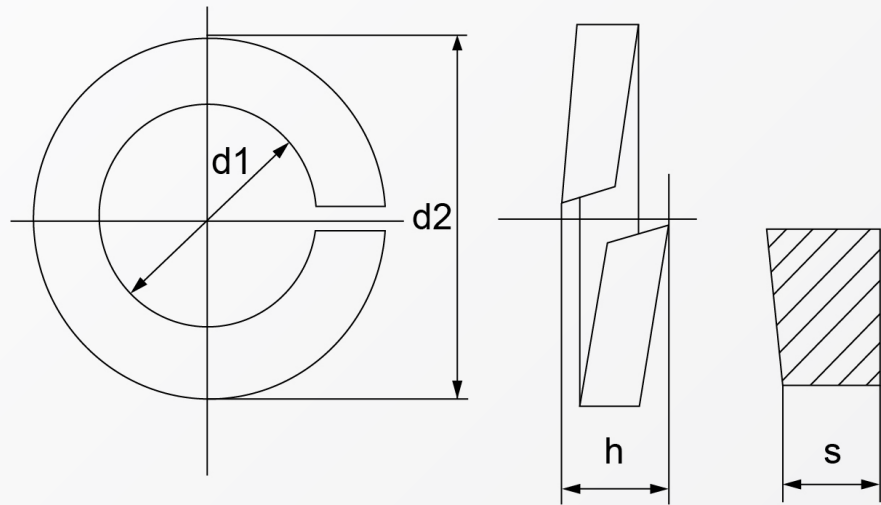


RoHS Directive Compliance



SPRING LOCK WASHER TYPE B

STAINLESS A2 & A4



| Dimension | d ₁ | d ₂ | s | h _{type B} | Dimension | d ₁ | d ₂ | s | h _{type B} |
|-----------|----------------|----------------|-----|---------------------|-----------|----------------|----------------|-----|---------------------|
| 2 | 2.1 | 4.4 | 0.5 | 1.2 | 16 | 16.2 | 27.4 | 3.5 | 7 |
| 2.3 | 2.3 | 4.8 | 0.6 | 1.4 | 18 | 18.2 | 29.4 | 3.5 | 7 |
| 2.5 | 2.6 | 5.1 | 0.6 | 1.4 | 20 | 20.2 | 33.6 | 4 | 8 |
| 2.6* | 3 | 5.2 | 0.6 | 1.4 | 22 | 22.5 | 35.9 | 4 | 8 |
| 3 | 3.1 | 6.2 | 0.8 | 1.6 | 24 | 24.5 | 40 | 5 | 10 |
| 3.5 | 3.6 | 6.7 | 0.8 | 1.6 | 27 | 27.5 | 43 | 5 | 10 |
| 4 | 4.1 | 7.6 | 0.9 | 1.8 | 30 | 30.5 | 48.2 | 6 | 12 |
| 5 | 5.1 | 9.2 | 1.2 | 2.4 | 33 | 33.5 | 53.2 | 6 | 12 |
| 6 | 6.1 | 11.8 | 1.6 | 3.2 | 36 | 36.5 | 58.2 | 6 | 12 |
| 7 | 7.1 | 12.8 | 1.6 | 3.2 | 39 | 39.5 | 61.2 | 6 | 12 |
| 8 | 8.1 | 14.8 | 2 | 4 | 42 | 42.5 | 68.2 | 7 | 14 |
| 10 | 10.2 | 18.1 | 2.2 | 4.4 | 45 | 45.5 | 71.2 | 7 | 14 |
| 12 | 12.2 | 21.1 | 2.5 | 5 | 48 | 49 | 75 | 7 | 14 |
| 14 | 14.2 | 24.1 | 3 | 6 | | | | | |

Above datas are for reference only
* denotes not standardized, reference values

Note:
I120 denotes Stainless A2 & I130 denotes Stainless A4

Part number built example:

e.g. (1) Diameter M6 in stainless A2 material >> SF-I120 M6
e.g. (2) Diameter M12 in stainless A4 material >> SF-I130 M12



sales@synergixfast.com



www.synergixfast.com



Phone: +65 6 316 2630 | Fax: +65 6 316 2730