



SF-I124 SERIES
SF-I134 SERIES

JIS B 1251~ (Ref.)

STAINLESS
STEEL

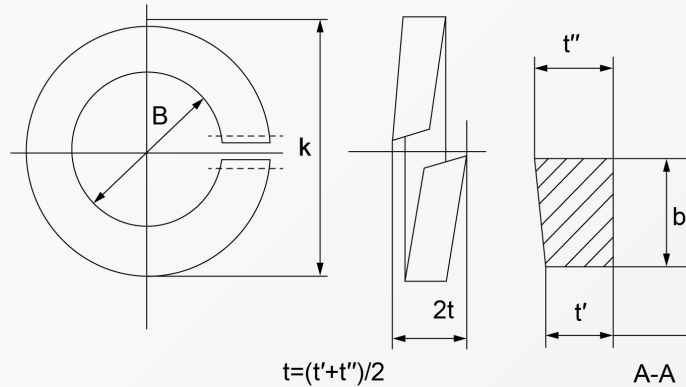
A2 | A4

PASSIVATED



JIS SPRING LOCK WASHERS

STAINLESS STEEL A2 & A4



$$t = (t' + t'') / 2$$

A-A

Dimension	Inner Diameter	Sectional Dimension	OD
	(B)	(minimum)	(maximum)
	Standard	No. 2	No. 2
	Size	Width (b) x Thickness (t)	(k)
2	2.1	0.9 x 0.5	4.4
2.5	2.6	1.0 x 0.6	5.2
3	3.1	1.1 x 0.7	5.9
4	4.1	1.4 x 1.0	7.6
5	5.1	1.7 x 1.3	9.2
6	6.1	2.7 x 1.5	12.2
(1/4)	6.5	2.8 x 1.6	12.8
8 (5/16)	8.2	3.2 x 2.0	15.4
3/8	9.8	3.6 x 2.4	17.8
10	10.2	3.7 x 2.5	18.4
12	12.2	4.2 x 3.0	21.5
1/2	13	4.4 x 3.2	22.7
(14)	14.2	4.7 x 3.5	24.5
16 5/8	16.2	5.2 x 4.0	28
(18)	18.2	5.7 x 4.6	31
3/4	19.5	5.9 x 4.8	32.7
20	20.2	6.1 x 5.1	33.8
22 (7/8)	22.5	6.8 x 5.6	37.7
24	24.5	7.1 x 5.9	40.3
1 "	26	7.5 x 6.4	42.8
(27)	27.5	7.9 x 6.8	45.3
1 "1/8	29.3	8.3 x 7.1	47.9
30	30.5	8.7 x 7.5	49.9
1 "1/4	32.5	9.1 x 7.9	52.7
(33)	33.5	9.5 x 8.2	54.7
1 "3/8	35.8	9.9 x 8.7	57.8
36	36.5	10.2 x 9.0	59.1
39	39.5	10.7 x 9.5	63.1

Above datas are for reference only
(*) Inch size ref.

Part number built example:

e.g. (1) Diameter M8 in stainless A2 material >>SF-I124 M8

e.g. (2) Diameter M6 in stainless A4 material >>SF-I134 M6



sales@synergixfast.com



www.synergixfast.com



Phone: +65 6 316 2630 | Fax: +65 6 316 2730