



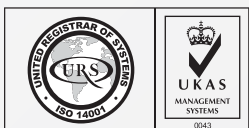
SF-I135 SERIES

DIN 137A

STAINLESS
STEEL

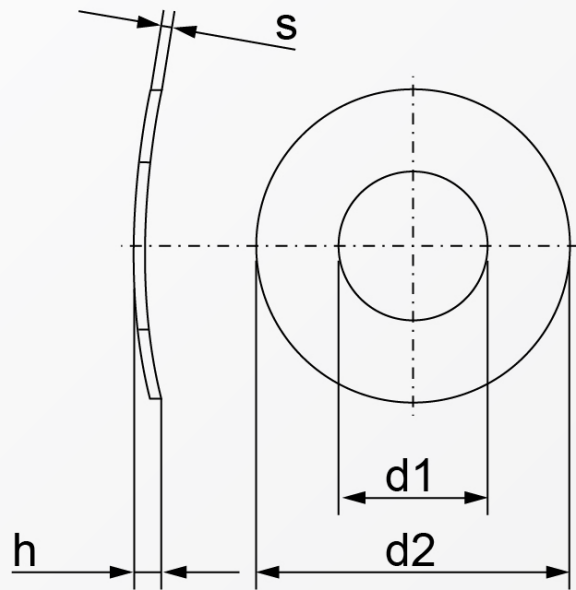
A2 | A4

PASSIVATED



CURVED SPRING WASHER (TYPE A)

STAINLESS A2 & A4



Dimension	d ₁	d ₂	s	h
3	3.2	8	0.5	1.6
3.5	3.7	8	0.5	1.8
4	4.3	9	0.5	2
5	5.3	11	0.5	2.2
6	6.4	12	0.5	2.6
7	7.4	14	0.8	3
8	8.4	15	0.8	3
10	10.5	21	1	4.2
12	13	24	1.2	5
14	15	28	1.6	6
16	17	30	1.6	6.4
18	19	34	1.6	6.6
20	21	36	1.6	7.4
22	23	40	1.8	7.8
24	25	44	1.8	8.2
27	28	50	2	9.4
30	31	56	2.2	10
33	34	60	2.2	10.6
36	37	68	2.5	11.6

Above datas are for reference only

Note:

I135 MXX-A2 denotes Stainless A2 & I135 MXX-A4 denotes Stainless A4

Part number built example:

e.g. (1) Diameter M5 in stainless A2 material >> SF-I135 M5-A2

e.g. (2) Diameter M10 in stainless A4 material >> SF-I135 M10-A4



sales@synergixfast.com



www.synergixfast.com



Phone: +65 6 316 2630 | Fax: +65 6 316 2730