



**SF-I140 SERIES**  
**SF-I142 SERIES**

DIN 6797 A  
Form A

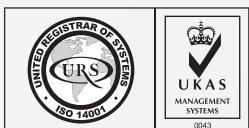
STAINLESS  
STEEL

A2 | A4

PASSIVATED

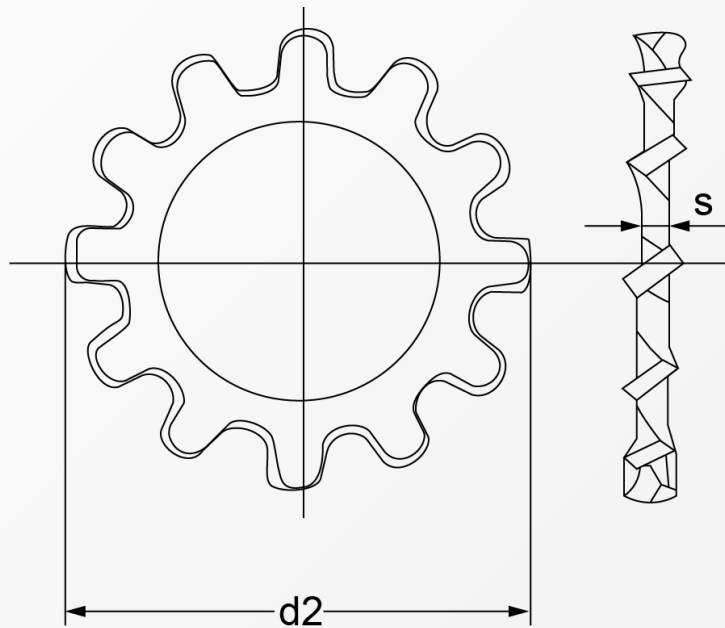


RoHS Directive Compliance



## EXTERNAL TOOTH LOCK WASHER TYPE A

STAINLESS A2 & A4



Dimension	$d_{2 \text{ form A}}$	$s_{\text{type A}}$	for thread $\emptyset$
3.2	6	0.4	3
3.7	7	0.5	3.5
4.3	8	0.5	4
5.3	10	0.6	5
6.4	11	0.7	6
7.4	12.5	0.8	7
8.4	15	0.8	8
10.5	18	0.9	10
12.5*	20.5	1	12
13	20.5	1	12
15	24	1	14
17	26	1.2	16
19	30	1.4	18
21	33	1.4	20
23	36	1.5	22
25	38	1.5	24
28	44	1.6	27
31	48	1.6	30

Above datas are for reference only

\* denotes acc. to DIN 6797:1971

Note:

I140 denotes Stainless A2 & I142 denotes Stainless A4

Part number built example:

e.g. (1) Diameter M6 in stainless A2 material >> SF-I140 M6

e.g. (2) Diameter M12 in stainless A4 material >> SF-I142 M12



sales@synergixfast.com



www.synergixfast.com



Phone: +65 6 316 2630 | Fax: +65 6 316 2730