



SF-I150 SERIES
SF-I155 SERIES

DIN 6797J

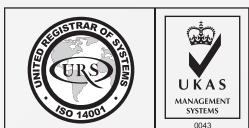
STAINLESS
STEEL

A2 | A4

PASSIVATED

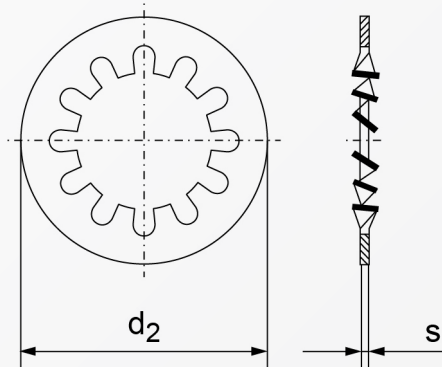


RoHS Directive Compliance



INTERNAL TOOTH LOCK WASHERS (TYPE J = INTERNAL TEETH)

STAINLESS STEEL A2 & A4



Dimensions	$d_{2 \text{ form A/J}}$	$S_{\text{type A/J}}$	for thread \emptyset
3.2	6	0.4	M3
3.7	7	0.5	M3.5
4.3	8	0.5	M4
5.3	10	0.6	M5
6.4	11	0.7	M6
7.4	12.5	0.8	M7
8.4	15	0.8	M8
10.5	18	0.9	M10
12.5*	20.5	1	M12
13	20.5	1	M12
15	24	1	M14
17	26	1.2	M16
19	30	1.4	M18
21	33	1.4	M20
23	36	1.5	M22
25	38	1.5	M24
28	44	1.6	M27
31	48	1.6	M30

Above datas are for reference only
*acc. to DIN 6797:1971

Part number built example:

e.g. (1) Diameter M5 in stainless A2 material >> SF-I150 M5
e.g. (2) Diameter M10 in stainless A4 material >> SF-I155 M10



sales@synergixfast.com



www.synergixfast.com



Phone: +65 6 316 2630 | Fax: +65 6 316 2730